

Indexing plungers, steel or stainless steel, pneumatic

Item description/product images



Description

Material:

Steel version:
threaded sleeve and thrust pin, free-cutting steel.
hexagon nuts, steel, grade 04.

Stainless steel version:
threaded sleeve 1.4305
thrust pin 1.4034
hexagon nuts, A2 stainless steel.

Version:

Steel version:
threaded sleeve, black oxidised
thrust pin hardened, black oxidised and ground
hexagon nuts, black oxidised

Stainless steel version:
threaded sleeve, bright
thrust pin, hardened, ground and bright
hexagon nuts, bright

Note:

The indexing plungers are operated by applying compressed air.
The spring-loaded reset occurs by disconnecting the air supply.

Pneumatic cylinder:

Single-acting piston rod cylinder.

Materials:

cylinder tube, nickel-plated brass,
piston rod, stainless steel
seals, NBR, PU.

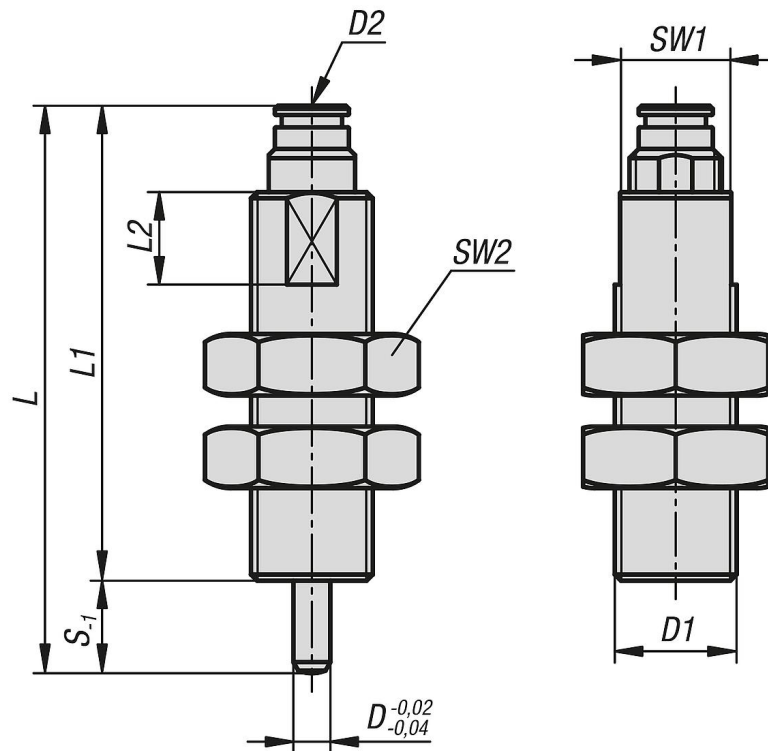
Operating medium:

filtered and dried air, oiled or not oiled.

Application temperature: -20 °C to +80 °C.

Indexing plungers, steel or stainless steel, pneumatic

Drawings



Overview of items

Indexing plungers, pneumatic

| Order No. | Main material | D | D1 | D2 | L | L1 | L2 | Travel S | SW1 | SW2 | Operating pressure bar | Piston force at 6 bar (N) | Spring retraction force ca. N |
|----------------|-----------------|---|---------|----|----|----|----|----------|-----|-----|------------------------|---------------------------|-------------------------------|
| K1116.1308010 | steel | 8 | M20x1,5 | M5 | 77 | 67 | 15 | 10 | 18 | 30 | 2 - 6 | 39,6-35,3 | 11,6-5,1 |
| K1116.1206010 | steel | 6 | M20x1,5 | M5 | 80 | 70 | 15 | 10 | 18 | 30 | 2 - 6 | 38,7-35,1 | 9,9-6 |
| K1116.1308015 | steel | 8 | M20x1,5 | M5 | 89 | 74 | 15 | 15 | 18 | 30 | 2 - 6 | 39,6-33,1 | 11,6-5,1 |
| K1116.1206015 | steel | 6 | M20x1,5 | M5 | 92 | 77 | 15 | 15 | 18 | 30 | 2 - 6 | 38,7-32,9 | 11,8-6 |
| K1116.01308010 | stainless steel | 8 | M20x1,5 | M5 | 77 | 67 | 15 | 10 | 18 | 30 | 2 - 6 | 39,6-35,3 | 11,6-5,1 |
| K1116.01206010 | stainless steel | 6 | M20x1,5 | M5 | 80 | 70 | 15 | 10 | 18 | 30 | 2 - 6 | 38,7-35,1 | 9,9-6 |
| K1116.01308015 | stainless steel | 8 | M20x1,5 | M5 | 89 | 74 | 15 | 15 | 18 | 30 | 2 - 6 | 39,6-33,1 | 11,6-5,1 |
| K1116.01206015 | stainless steel | 6 | M20x1,5 | M5 | 92 | 77 | 15 | 15 | 18 | 30 | 2 - 6 | 38,7-32,9 | 11,8-6 |