

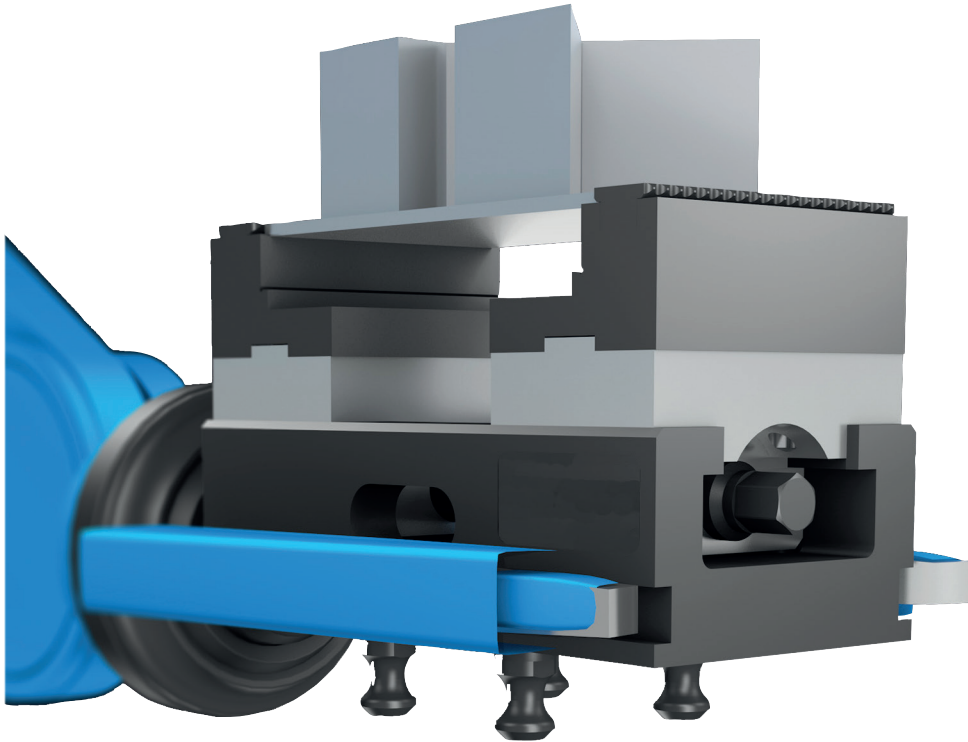
Technical information for centric vices



Mechanically actuated centric vice

Centring precision +/- 0.02 mm across the entire clamping range.

We recommend using a torque wrench for controlling the clamping force.



Flexible connection options:

1. Support for the zero-point clamping system. Fitting 25H6/M12.
Reamed and tapped holes for clamping pins for zero-point clamping systems are integrated into each centric vice.
These vices can therefore be used on conventional zero-point clamping systems.
2. Support for handling systems / suitable for automation.
There is also the option of transporting the centric vices using handling systems.
3. Support with adapter plate for grid system M12/Ø12F7, grid spacing 50 mm.
Assembly with an adapter plate suitable for grid systems M12/Ø12F7 ensures flexible positioning on basic elements with a grid system.
4. Support directly on the machine table.
Using the lateral fastening slots, the centric vices can also be mounted on the machine table as required.

