

5D workpiece stops

Item description/product images



Description

Material:

Clamping joint high-tensile aluminium.
Hinge pin, support plate and stop bar, steel.

Version:

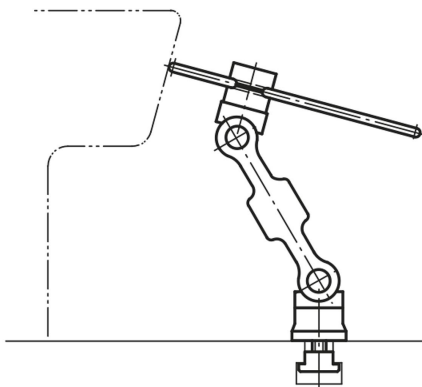
Clamping joint anodised blue and black.
Hinge pins, support plate and stop bar black oxidised.

Note:

The 5D-swivelling stop serves, among other things, as a versatile instrument for positioning on machining tools or for assembly work. It is infinitely adjustable, quickly and flexibly in 5 axes.
Supplied complete with M8x12 T-slot nut and hex key.

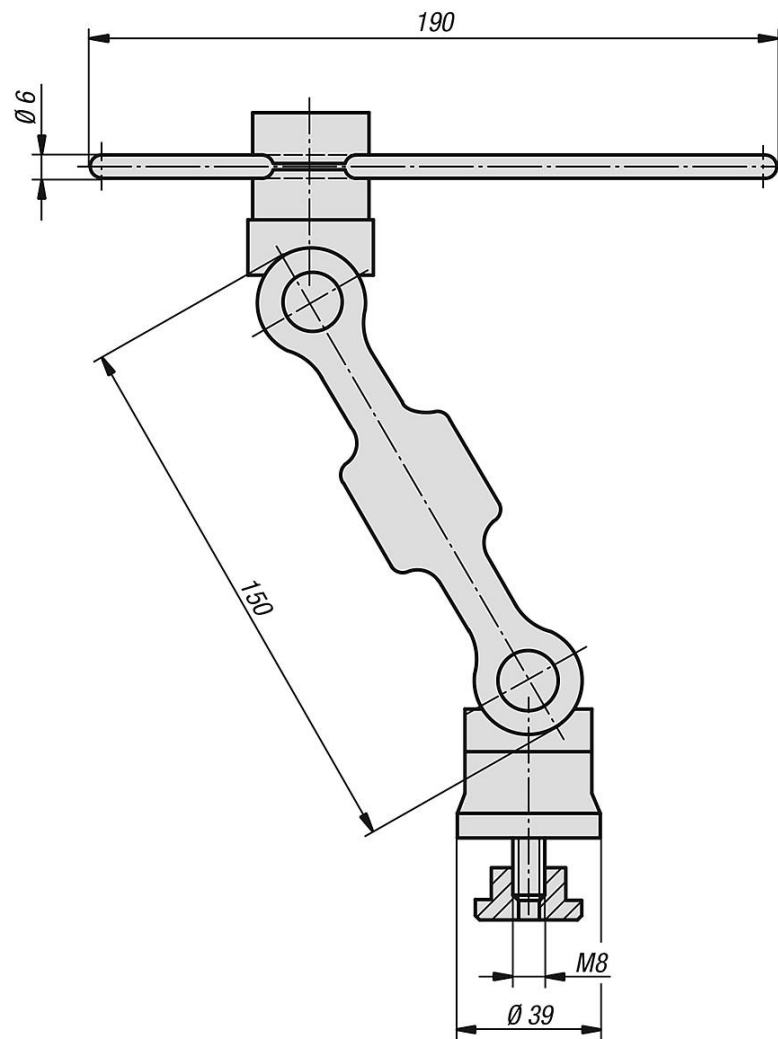
On request:

Connecting element for combining several 5D-swivelling stops.



5D workpiece stops

Drawings



Overview of items

5D workpiece stops

Order No.	Size
K1234.15012	150