

## Joins with clamping levers

### Item description/product images



### Description

#### Material:

Joint die-cast zinc.  
Fastenings die-cast zinc.  
Spacer rings stainless steel.  
Tapped bushes and countersunk screws steel.  
Handle die-cast zinc DIN EN 12844. Steel parts stainless steel 1.4305.  
The 40x80 and 45x90 joints are made from aluminium.

#### Version:

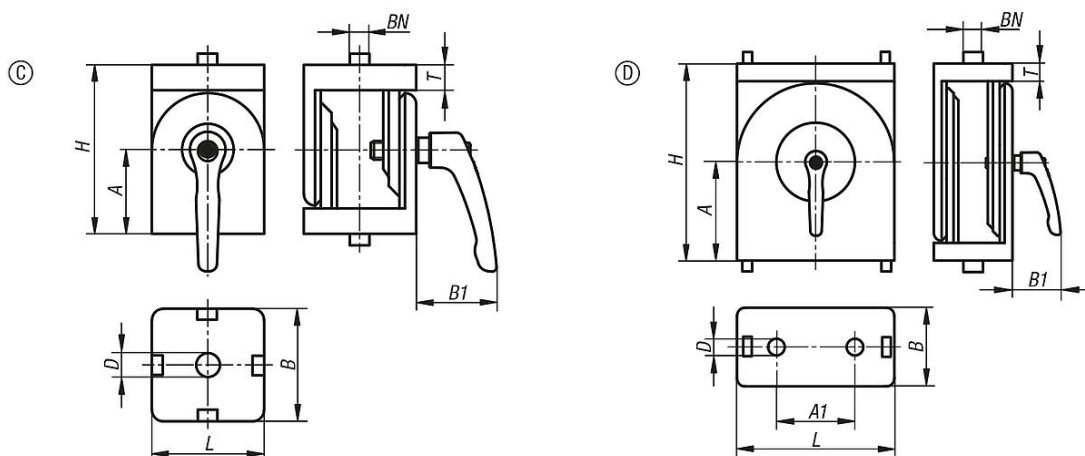
Joint painted aluminium tone.  
Fasteners electro zinc-plated.  
Spacer rings bright.  
Tapped bushes and countersunk screws electro zinc-plated.  
Handle powder-coated. Steel parts bright stainless steel.

#### Note:

Joins for connecting two profiles at any angle.  
The adjustment range is 0° to 180°. The joint can also be used as a heavy hinge.

When the spacer rings are inserted, the joint can move freely. When these are removed, the joint can be used as a rigid angle element. The joints are particularly suitable for use as adjustable brackets, swivel arms or similar applications.

### Drawings



### Overview of items

Order No.	Type	BN=Slot width	Form	A	A1	B	B1	D	H	L	T
K1051.1063030	I	6	C	22,5	-	30	31	6,4	45	30	7
K1051.1084040	I	8	C	30	-	40	31	8,4	60	40	9
K1051.2084080	I	8	D	50	40	40	31	8,4	100	80	9
K1051.1104545	B	10	C	30	-	45	42,5	8,5	60	45	8
K1051.2104590	B	10	D	50	45	45	42,5	8,5	100	90	9

