

Extension shafts for workpiece stabiliser

Item description/product images



Description

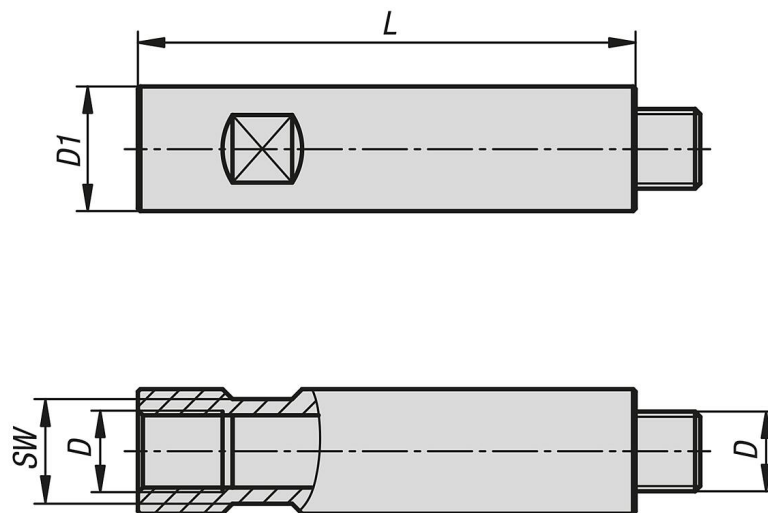
Material:
Steel.

Note:

The extension shafts extend the adjustment range.

They are mounted with the clamping ball between the workpiece stabiliser and the fastening set.

Drawings



Overview of items

Extension shafts for workpiece stabiliser

Order No.	Size	D	D1	L	SW	weight kg
K1186.1625075	25	M16x1,5	25	75	21	0,233
K1186.1625100	25	M16x1,5	25	100	21	0,293
K1186.1625150	25	M16x1,5	25	150	21	0,416
K1186.1625250	25	M16x1,5	25	250	21	0,697
K1186.1625500	25	M16x1,5	25	500	21	1,3
K1186.2750100	50	M27x2	40	100	36	0,726
K1186.2750150	50	M27x2	40	150	36	1,04
K1186.2750250	50	M27x2	40	250	36	1,623
K1186.2750500	50	M27x2	40	500	36	3,12

