

Magnet for workpiece stabiliser

Item description/product images



Description

Product description:

The magnet is connected to the workpiece stabiliser. The magnet can be positioned anywhere enabling flexible placement on the machine table.

Note:

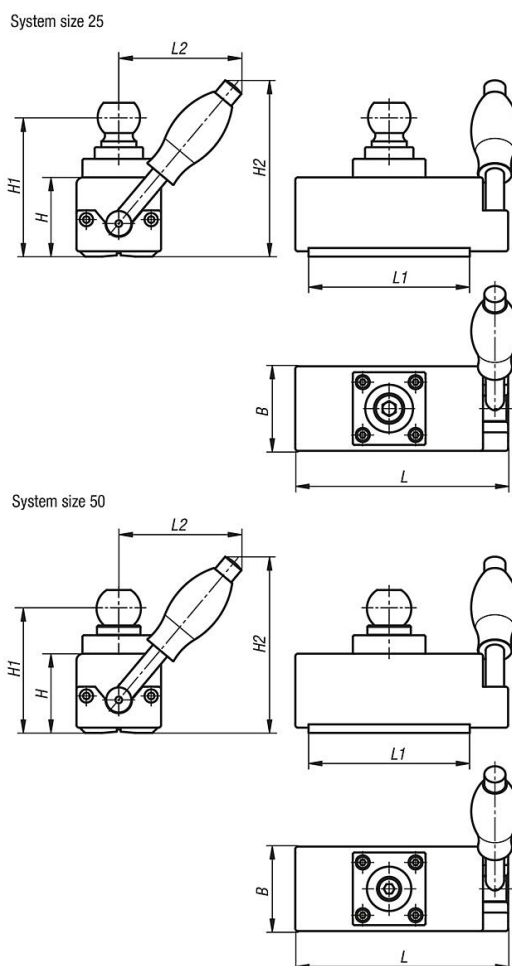
Maximum hold with the magnet K1188.25161064 for workpiece stabiliser system size 25 is achieved with a material thickness from 8 mm.

Maximum hold with the magnet K1188.50205087 for workpiece stabiliser system size 50 is achieved with a material thickness from 15 mm.

Must not be used as a hoisting tool.

The clamping balls can be exchanged between the two system sizes by using the matching adapter plates.

Drawings



Overview of items

Magnet for workpiece stabiliser

Magnet for workpiece stabiliser

Overview of items

Order No.	Size	B	H	H1	H2	L	L1	L2	Magnetic force N	weight kg
K1188.25161064	25	64	60	102	133	161	122	92	1470	3,73
K1188.50205087	50	87	78	134	181	205	162	145	1960	8,6