

Spring hinges aluminium profile, 0.7 Nm, spring closed

Item description/product images



Description

Material:

Aluminium 6060 T5.

End caps PA 6.6.

Washers POM.

Version:

Black anodised.

Colourless anodised.

Note:

These hinges have steel tension springs which enables doors and hatches to open or close automatically.

Opening angle 180°.

Spring torque:

M(0°): 0.23 Nm / M(90°): 0.45 Nm / M(180°): 0.7 Nm

These hinges have a more than 30,000 cycle service life.

Fastened using DIN 912/EN ISO 4762 socket head screws.

Temperature range:

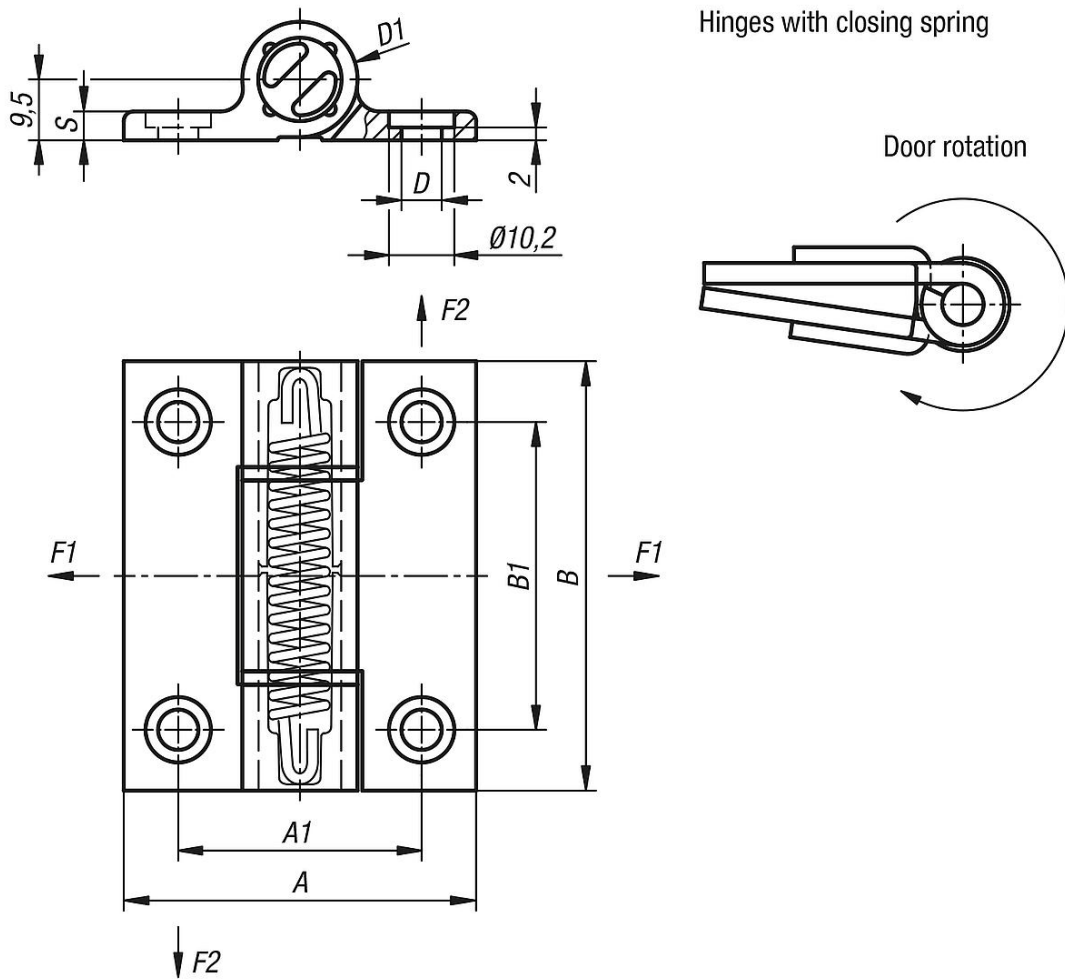
From -20°C to +80°C

Accessory:

Socket head screws with hexagon socket DIN 912/EN ISO 4762.

Spring hinges aluminium profile, 0.7 Nm, spring closed

Drawings



Overview of items

Order No.	Main colour	Surface finish body	A	A1	B	B1	D	D1	S	F1 N	F2 N
K1180.556711	black	anodised	55	38	67	48	6,3	18	4,5	5000	4200
K1180.55671	colourless	anodised	55	38	67	48	6,3	18	4,5	5000	4200