

Grease nipples conical head DIN 71412, Form B, 45°, hexagonal

Item description/product images



Description

Material:

Steel or 1.4305 stainless steel.

Version:

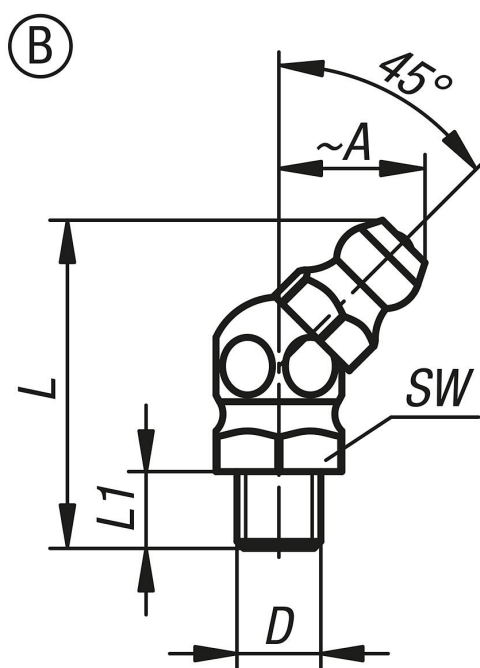
Steel hardened, min. 550 HV 1, electro zinc-plated.

Stainless steel bright.

Note:

The conical head grease nipples have a tapered thread. They are suitable for grease points which must be lubricated often and reliably. Their versatility makes them the most widespread type of grease nipple.

Drawings



Overview of items

Order No.	Form	Form definition	Main material	A	D	L max.	L1	SW
K1132.1206100	B	angled 45° with hexagon socket	steel	10,5	M6X1	23	5,5	9
K1132.1208100	B	angled 45° with hexagon socket	steel	10,5	M8X1	23	5,5	9
K1132.1208125	B	angled 45° with hexagon socket	steel	10,5	M8X1,25	23	5,5	9
K1132.1210100	B	angled 45° with hexagon socket	steel	11,5	M10X1	23	5,5	11
K1132.1210150	B	angled 45° with hexagon socket	steel	11,5	M10X1,5	23	5,5	11
K1132.1218	B	angled 45° with hexagon socket	steel	11,5	R1/8	23	5,5	11
K1132.1214	B	angled 45° with hexagon socket	steel	12	R1/4	23	5,5	14
K1132.2206100	B	angled 45° with hexagon socket	stainless steel	10,5	M6X1	23	5,5	9
K1132.2208100	B	angled 45° with hexagon socket	stainless steel	10,5	M8X1	23	5,5	9

Grease nipples conical head DIN 71412, Form B, 45°, hexagonal

Overview of items

Order No.	Form	Form definition	Main material	A	D	L max.	L1	SW
K1132.2208125	B	angled 45° with hexagon socket	stainless steel	10,5	M8X1,25	23	5,5	9
K1132.2210100	B	angled 45° with hexagon socket	stainless steel	11,5	M10X1	23	5,5	11
K1132.2210150	B	angled 45° with hexagon socket	stainless steel	11,5	M10X1,5	23	5,5	11
K1132.2218	B	angled 45° with hexagon socket	stainless steel	11,5	R1/8	23	5,5	11
K1132.2214	B	angled 45° with hexagon socket	stainless steel	12	R1/4	23	5,5	14