

Grip nuts

Item description/product images



Description

Material:

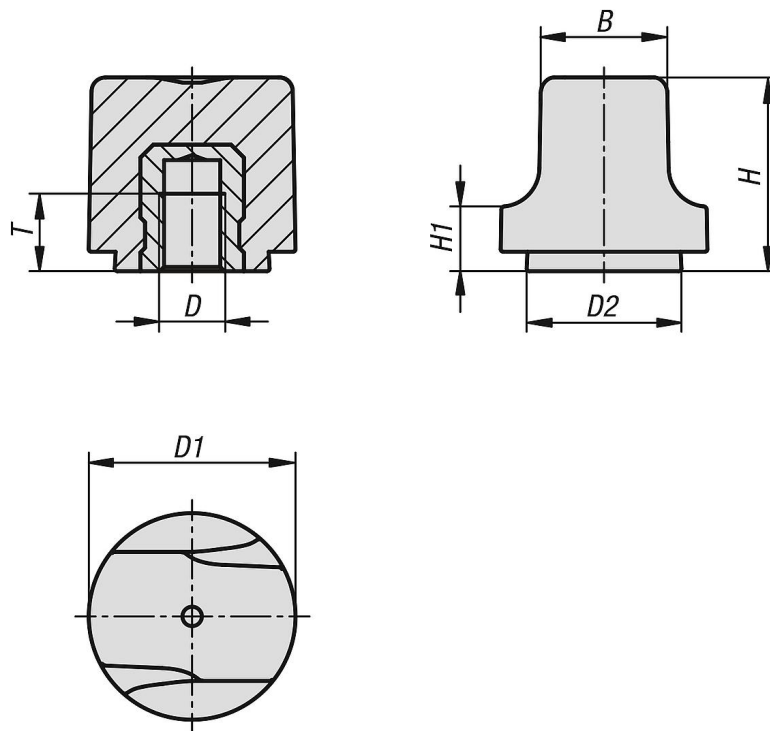
Thermoplastic black.

Bush steel, stainless steel or brass.

Version:

Bush blue passivated steel, stainless steel and brass bright.

Drawings



Overview of items

Grip nuts

Order No.	Component material	B	D	D1	D2	H	H1	T
K1126.103	brass	10	M3	16	12	15	5	4,5
K1126.104	brass	10	M4	16	12	15	5	6
K1126.204	brass	12,3	M4	20	15	18,5	6	6
K1126.205	brass	12,3	M5	20	15	18,5	6	6
K1126.305	steel	15,3	M5	25	18,7	22,9	7,3	8,5
K1126.306	steel	15,3	M6	25	18,7	22,9	7,3	9
K1126.1003	stainless steel	10	M3	16	12	15	5	4,5
K1126.1004	stainless steel	10	M4	16	12	15	5	6
K1126.2004	stainless steel	12,3	M4	20	15	18,5	6	6
K1126.2005	stainless steel	12,3	M5	20	15	18,5	6	6
K1126.3005	stainless steel	15,3	M5	25	18,7	22,9	7,3	8,5
K1126.3006	stainless steel	15,3	M6	25	18,7	22,9	7,3	9

