

Quarter-turn locks with T-grip

Item description/product images



Description

Material:

Housing and nut die-cast zinc.
T-grip plastic PA6 GF 30.
Flat seal rubber.

Version:

Housing and nut chrome-plated.
T-grip black.

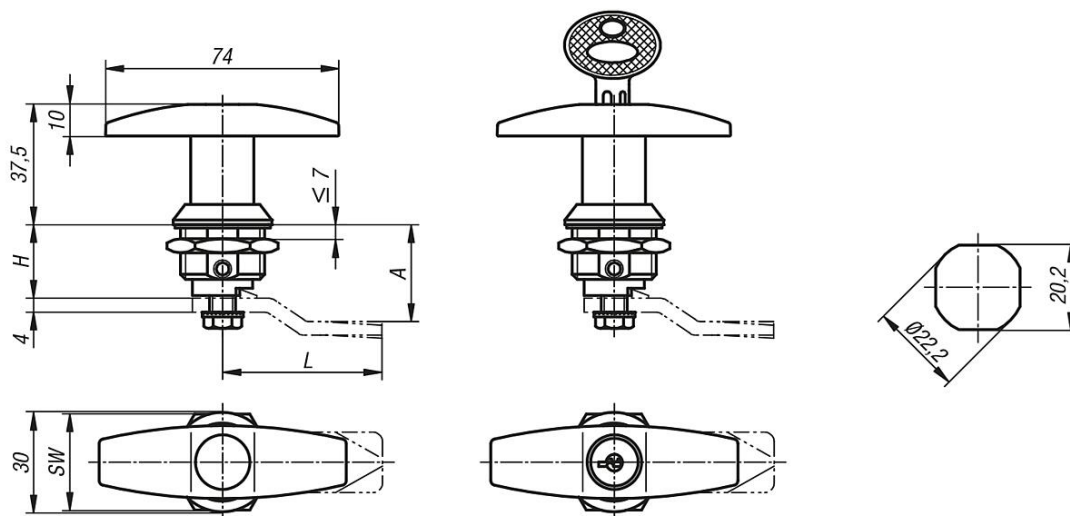
Note:

Quarter-turn lock with T-grip. Right or left deployment. The lock can be installed pre-assembled. The fastening nut is an earthing nut with teeth one side.

Water and dust tight according to IP65.

The cylinder locks are supplied with 2 keys. The key can be removed in both positions (open and closed). All cylinders are identical i.e. all locks can be opened with the same key (Euro key 5333).

Drawings



Overview of items

Order No.	Actuation	H	SW
K0526.1183	T-Grip	18,5	27
K0526.2183	lockable T-grip	18,5	27