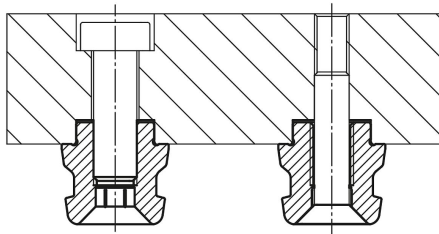


## UNILOCK clamping pin system size 50 mm

### Item description/product images



### Description

**Material:**

Steel.

**Version:**

Main body oxidised.

Contact faces hardened and ground.

**Note:**

The UNILOCK clamping pin is suitable for clamping and positioning workpieces and fixtures. Clamping pins are screwed onto the exchange element and adapted to the various basic modules.

The following clamping forces are possible with the UNILOCK clamping pin in conjunction with M8, M10 fastening screws:

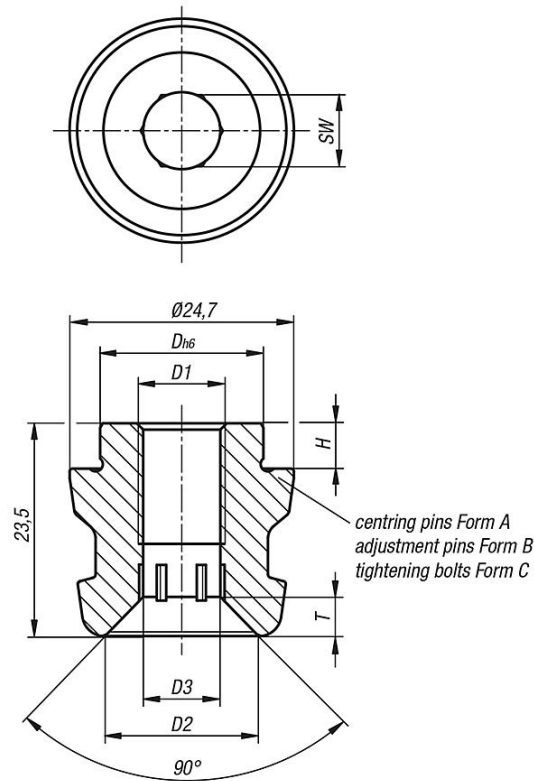
- Clamping force (M8) 15,000 N




- Clamping force (M10) 25,000 N

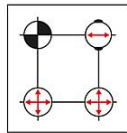
Clamping force with DIN EN ISO 4762 -12.9 cap screws.

## UNILOCK clamping pin system size 50 mm

### Drawings



-  Centring pins = Form A      fixes in x and y axis (reference point)
-  Adjustment pins = Form B      fixes the free axis (bayonet pin)
-  Tightening bolts = Form C      Pins with undersize (no centring function, clamping only)



### Overview of items

#### UNILOCK clamping pin, system size 50 mm

Order No.	Form	D1	D	D2	D3	H	T	SW
K1121.125180510	A	M10	18	16,5	9	5	5	8
K1121.225180510	B	M10	18	16,5	9	5	5	8
K1121.325180510	C	M10	18	16,5	9	5	5	8