

# Locating pins

## Item description/product images

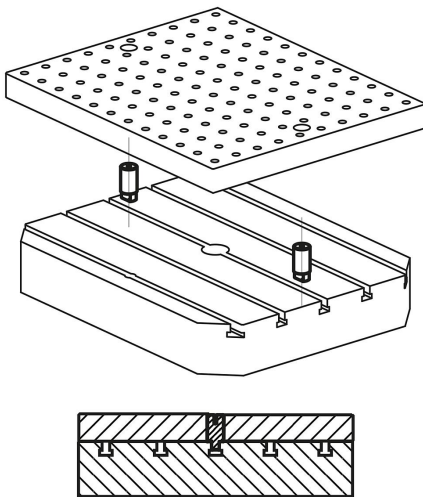


### Description

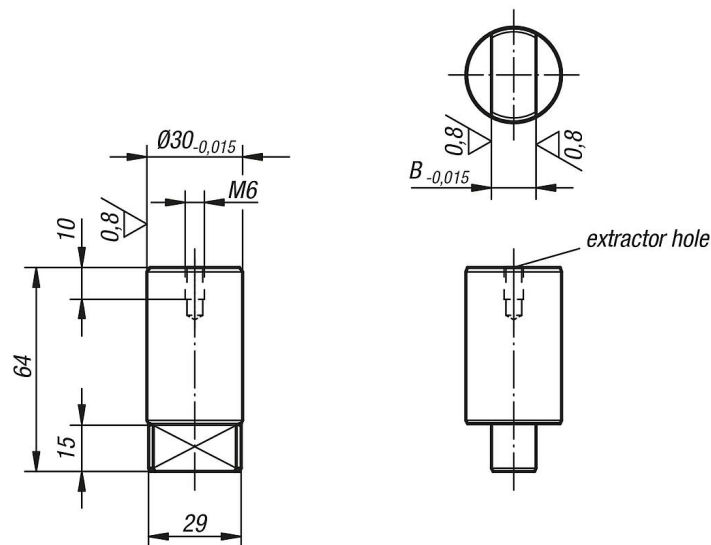
**Material:**  
Carbon steel.

**Version:**  
Tempered and black oxidised.  
Precision diameters and guide faces ground.

**Note:**  
Locating pins are used for positioning grid plates K0800 on machine tables.



## Drawings



## Locating pins

### Overview of items

---

#### Locating pins

Order No.	B
K0855.14030	14
K0855.18030	18
K0855.20030	20
K0855.22030	22