

# Toe stops stepped

## Item description/product images



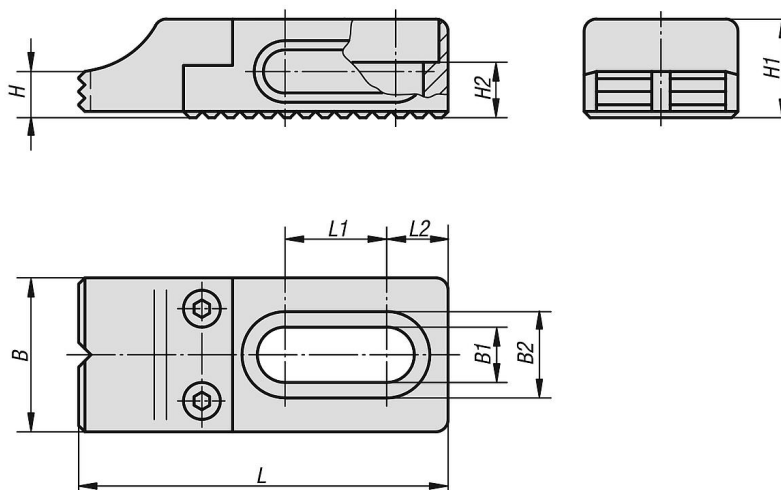
### Description

**Material:**  
Carbon steel.

**Version:**  
Body black oxidised.  
Jaw plate tempered and black oxidised.  
The contact face of the jaw plate is serrated.

**Note:**  
The adjustable stop is used together with the rack plate CL.

## Drawings



## Overview of items

### Toe stops, stepped

Order No.	B	B1	B2	H	H1	H2	L	L1	L2
K0853.96008016	25	8,5	14	7,5	16	7	60	16,5	10
K0853.96012022	35	13	20	10	22	10	90	26,5	13,5
K0853.96016030	40	17	26	14	30	13	115	30	17,5