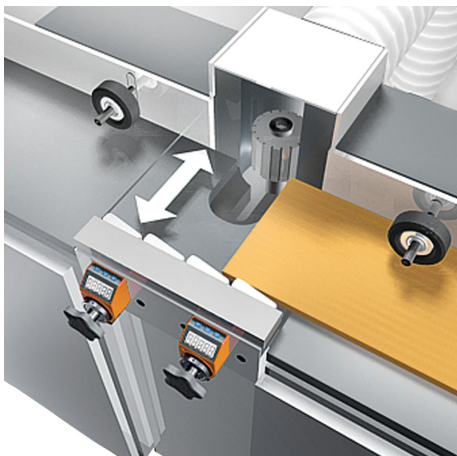
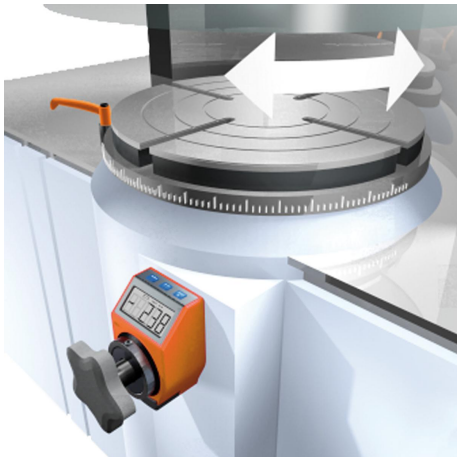


Position indicators freely programmable

Item description/product images



Description

Material:

Housing plastic.
Hollow shaft steel.
Screen LCD display.
Grub screw steel.

Version:

Hollow shaft black oxidised.
Grub screw black.

Note:

The electronic position indicators offer diverse opportunities compared to mechanical position indicators because they display angles as well as uncommon spindle pitches and record each fraction of spindle movement.

* Freely programmable parameters using the programming software K0411.09.

Technical data:

- LCD Display with 5 digits
- Digit size approx. 8 mm
- Display range from -19999 ... 99999
- Hollow shaft \varnothing 14 H7 mm
- Operating temperature -10 °C to +60 °C
- Storage temperature -30 °C to +80 °C
- Revolution max. 600 rpm
- Lithium battery button cell 3V, type CR 2032. service life ca. 2 years
- Vibration-resistance acc. to DIN IEC 68-2-6 10 g / (5 ... 150 Hz), 20 g / (100 ... 2000 Hz)
- Shock-resistance acc. to DIN IEC 68-2-27 30 g / 15 ms
- EMC DIN EN 61000-4-2; DIN EN 61000-4-4
- Protection IP 51

Features:

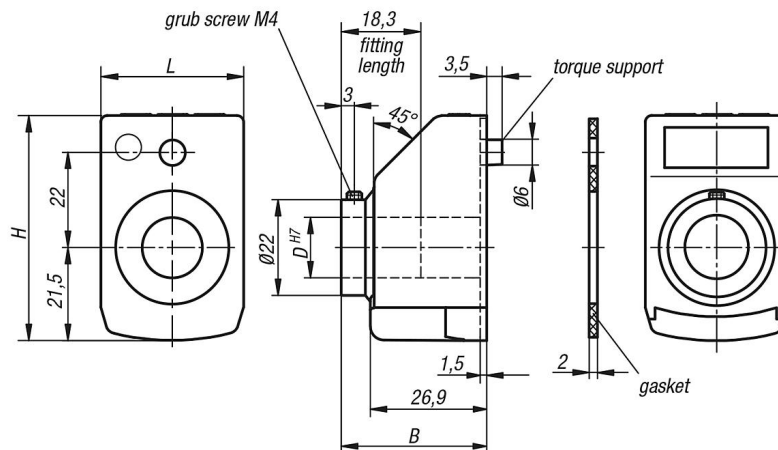
- indicated value and decimal point freely programmable
- linear or angle mode
- function key for zero-point position
- function key for switching between the absolute dimension and chain dimension
- programming of an offset value directly at the device
- easy battery change

Accessory:





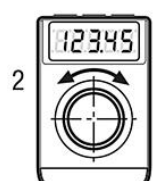


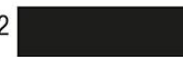

- reducing bushes K0412
- programming software K0411.09

Position indicators freely programmable

Drawings



Order code:

K0771. <input type="text"/>	<input type="text"/>	<input type="text"/>	<input type="text"/>	<input type="text"/>	<input type="text"/>
<p>Indicator after one rotation:</p> <p>e.g. K0771.0200021120 Please indicate here which value is to be displayed after one rotation (this is usually the spindle pitch).</p> <p>Important: Please note the decimal point position!</p>  <p>Angle mode: (resolution 0.1°) If you want the display to be in angle mode, enter 03600. The display in angle mode is 03600 after one rotation and returns to 00000 for the next rotation.</p>	<p>Decimal point position:</p> <p>e.g. K0771.0200021120 Please indicate here how many decimal places you require.</p> <p>0 = 00000 1 = 0000.0 2 = 000.00 3 = 00.000</p>  <p>Angle mode: If you want the display to be in angle mode, the decimal point is best put in position 1. This means the display shows the value 0360.0 after one rotation.</p>	<p>Assembly position:</p> <p>e.g. K0771.0200021120 1 = Mounting position for horizontal spindle 3 = Mounting position for vertical spindle</p>  	<p>Count direction:</p> <p>e.g. K0771.0200021120 1 = clockwise (ascending values) 2 = anticlockwise (ascending values)</p>  	<p>Colour:</p> <p>e.g. K0771.0200021120 1 = orange 2 = black</p>  	<p>Zero-point position:</p> <p>e.g. K0771.0200021120 0 = directly 5 = delayed by 5 sec.</p>  <p>The Zero-point position can be delayed by 5 sec. by means of a parameter, in order to avoid accidental zero setting.</p>

Overview of items

Position indicators programmed

Order No.	Version 1	Version 2	B	D	H	L
K0771.	See sample order for position Indicators programmed	freely programmable	33,6	14	52	33

Position indicators freely programmable

Overview of items

Position indicators not programmed*

Order No.	Assembly position	Main colour	Version 2	Order No. software
K0771.11	1	orange	freely programmable	K0411.09
K0771.12	1	black	freely programmable	K0411.09
K0771.31	3	orange	freely programmable	K0411.09
K0771.32	3	black	freely programmable	K0411.09