

Toggle clamps horizontal with straight foot and adjustable clamping spindle, stainless steel

Item description/product images



Description

Material:

Stainless steel.
Grip polyamide.

Version:

Bright.
Grip blue, black or red.

Note:

Maintenance-free high quality link bushings. Sustainable constant use of force during opening and closing. Optimum stability through the conical, U-profile clamping arm.

On request:

Other grip colours.

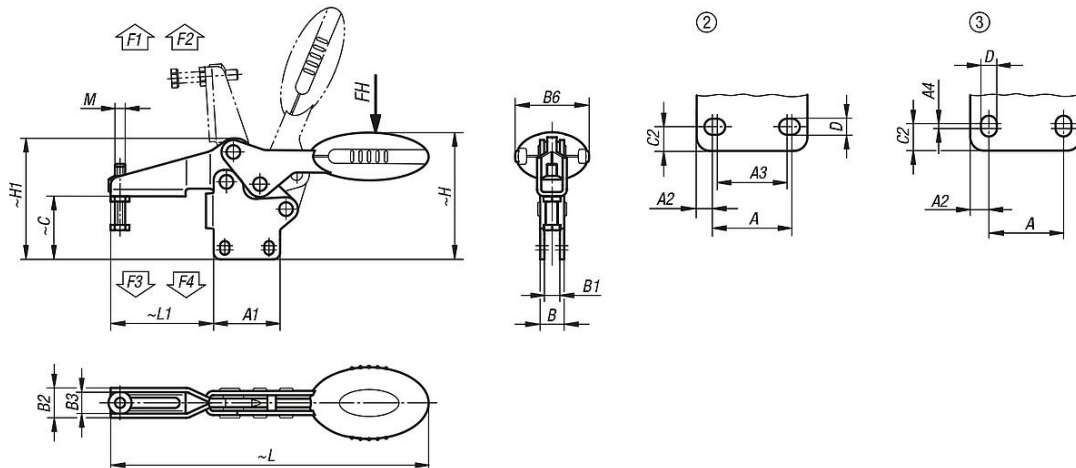
Accessory:

K0106
K0384
K0390
K0392
K0667



Toggle clamps horizontal with straight foot and adjustable clamping spindle, stainless steel

Drawings



Overview of items

Toggle clamps horizontal with straight foot and adjustable clamping spindle, stainless steel

Order No.	Component colour	hole arrangement	Opening angle of holding arm	Opening angle of handle	Hand force FH N	Retaining force F1 N	Retaining force F2 N	Clamping force F3 N	Clamping force F4 N
K0661.105001	ultramarine RAL 5002	2	86°	67°	100	650	900	550	620
K0661.106001	ultramarine RAL 5002	3	86°	67°	160	1350	1900	720	1200
K0661.108001	ultramarine RAL 5002	3	86°	67°	200	2000	2800	830	1400
K0661.105000	black grey RAL 7021	2	86°	67°	100	650	900	550	620
K0661.106000	black grey RAL 7021	3	86°	67°	160	1350	1900	720	1200
K0661.108000	black grey RAL 7021	3	86°	67°	200	2000	2800	830	1400
K0661.105003	traffic red RAL 3020	2	86°	67°	100	650	900	550	620
K0661.106003	traffic red RAL 3020	3	86°	67°	160	1350	1900	720	1200
K0661.108003	traffic red RAL 3020	3	86°	67°	200	2000	2800	830	1400

Order No.	M	A	A1	A2	A3	A4	B	B1	B2	B3	B6	C	C2	D	H	H1	L	L1
K0661.10500Δ	M5x25	18	27	4,5	13,5	-	8,1	4,1	13,2	9,2	22,5	26,2	5,2	5,5	52,2	47,9	125,7	41,8
K0661.10600Δ	M6x35	26	39	6,5	-	2,5	14,1	9,1	17,5	12,5	43,5	36,9	8	5,5	75,2	71	186,6	60,5
K0661.10800Δ	M8x45	26	44	9	-	3,5	14,1	9,1	21	16	41,5	46,5	10,5	6,2	88,2	84,3	223,1	74,9