

## Cylindrical grips fold-down

### Item description/product images

---



### Description

**Material:**

Grip thermoplastic.  
Steel parts black oxidised.

**Version:**

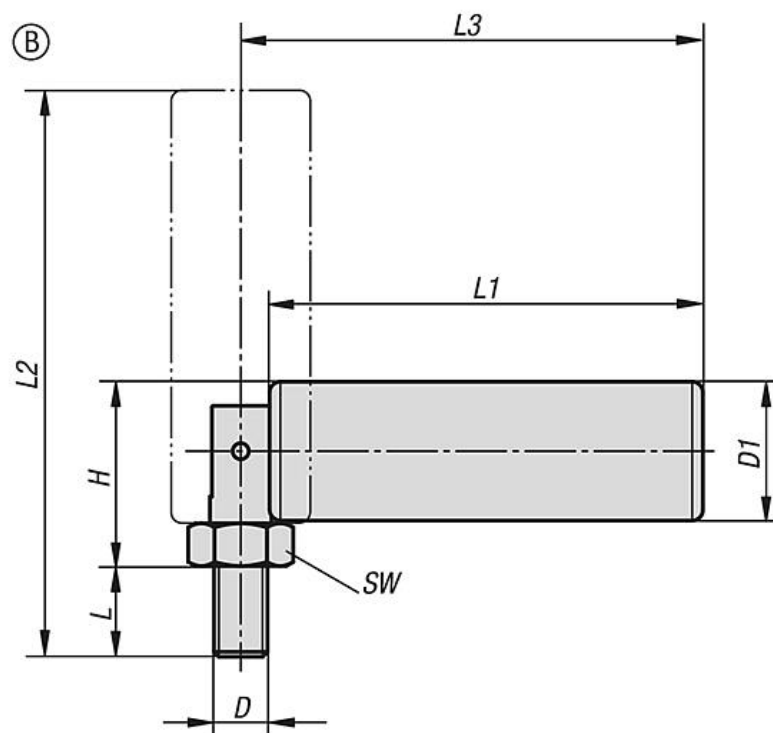
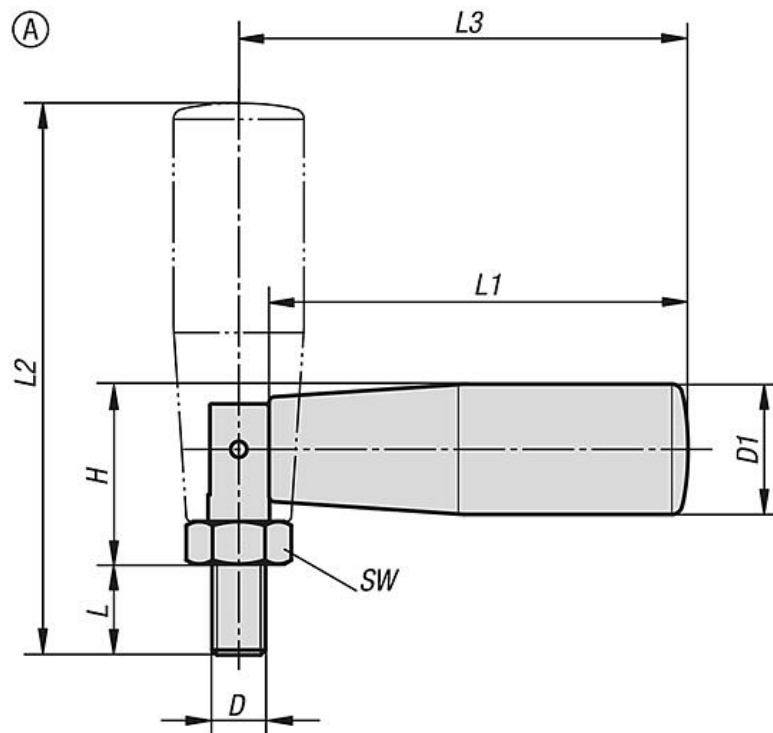
Black satin finished.

**Note:**

Cylindrical grips can be screwed onto our handwheels, crank handles etc.

## Cylindrical grips fold-down

## Drawings



## Cylindrical grips fold-down

### Overview of items

---

#### Cylindrical grips fold-down

Order No.	Form	D	D1	SW	L	L1	L2	L3	H
K0775.06200490	A	M6	20	10	9	49	63	53	24,5
K0775.08250690	A	M8	25	13	11	70	87,5	74	28
K0775.10260890	B	M10	26	17	16	90	114	96	34