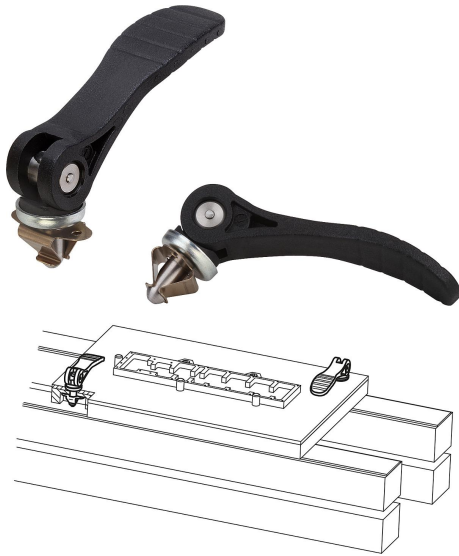


Cam levers, plastic with quick lock, plastic thrust washer and steel locking pin

Item description/product images



Description

Material, version:

Handle and thrust washer fibreglass reinforced PA66 plastic, black.

Hinge pins bright 1.4305 stainless steel.

Locking pin trivalent blue passivated 1.0718 steel.

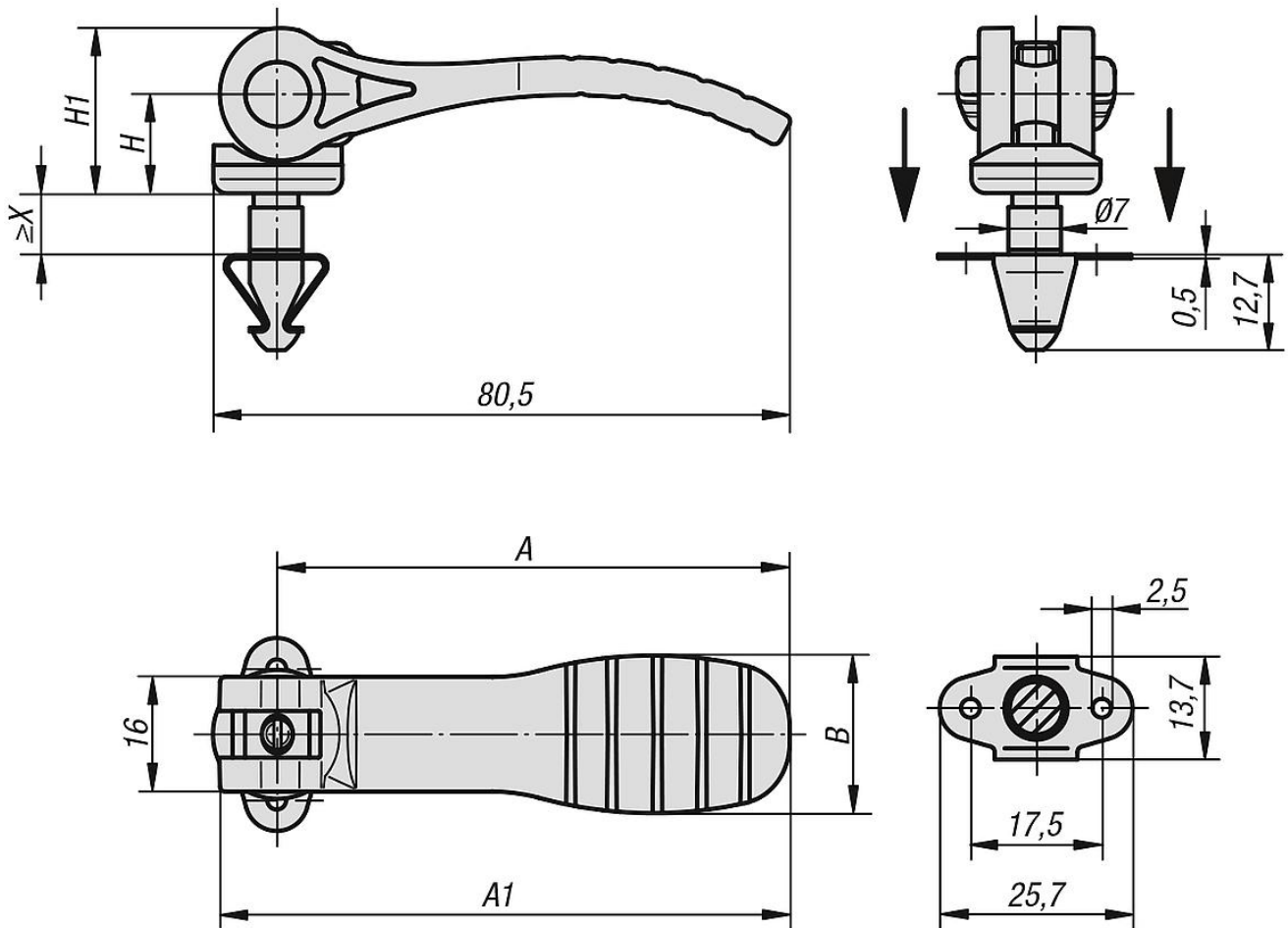
Spring clip trivalent passivated 1.4310 stainless steel.

Note:

A sheet metal element can be positioned by engaging the spring clip. The sheet metal element is then clamped using the handle.

Plastics are subject to creeping under load (retardation), this can cause reduced clamping force.

Drawings

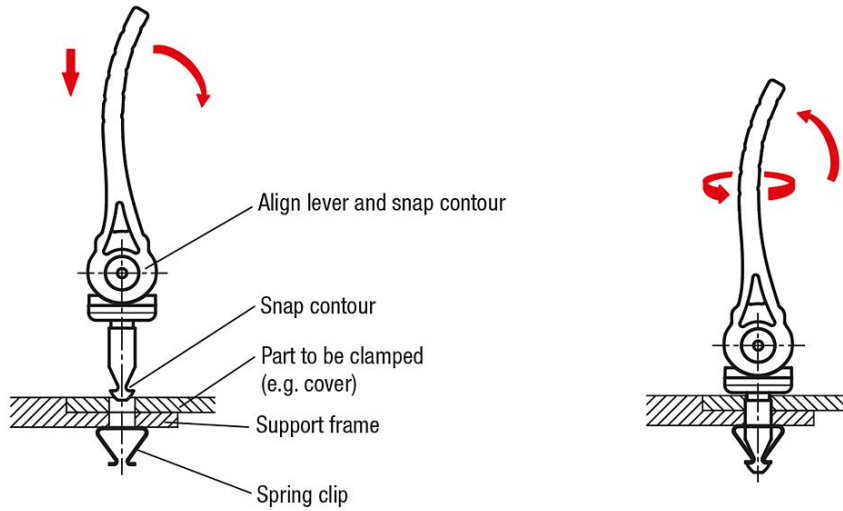


Cam levers, plastic with quick lock, plastic thrust washer and steel locking pin

Drawings

Push in to install
Swivel grip down to clamp

Swivel grip up and twist to loosen



Overview of items

Order No.	A	A1	B	H	H1	X Material thickness	Clamping force ca. N
K0751.121107X2	71,5	79,6	22	14	23,4	1,9 - 2,3	500
K0751.121107X4	71,5	79,6	22	14	23,4	3,9 - 4,3	500
K0751.121107X6	71,5	79,6	22	14	23,4	5,9 - 6,3	500
K0751.121107X8	71,5	79,6	22	14	23,4	7,9 - 8,3	500