

Swivel feet plates extended, plastic, Form D

Item description/product images



Description

Material:

Plates, thermoplastic, fibreglass reinforced.

Anti-slip plate thermoplastic elastomer.

Version:

Black.

Note:

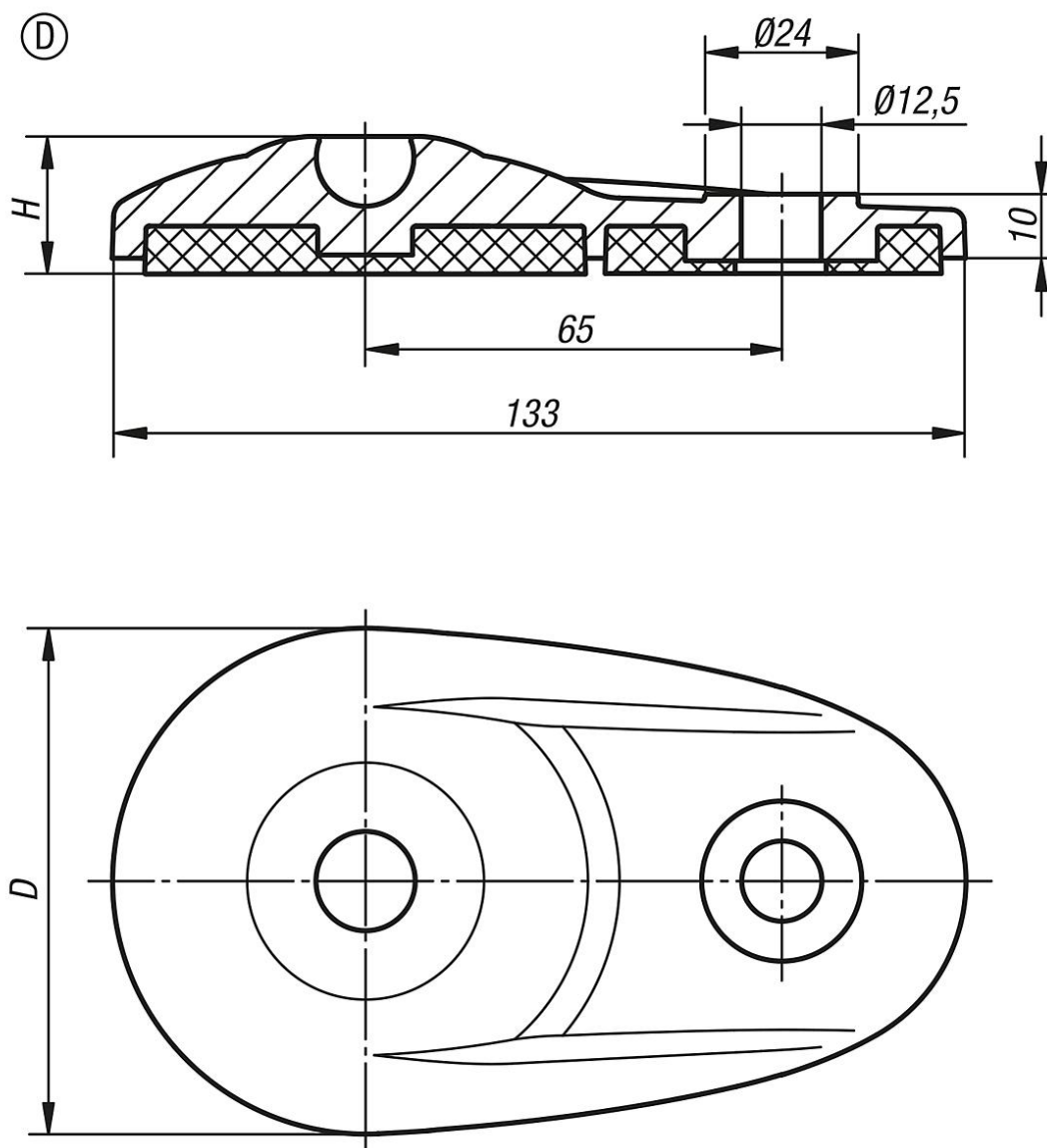
Swivel feet consist of a plate and a threaded spindle or ball joint. Any plate can be combined with any threaded spindle or ball joint. The anti-slip plate absorbs vibrations and prevents the swivel foot slipping.

For matching threaded spindles see K0421.

For matching ball joints see K0422.

Swivel feet plates extended, plastic, Form D

Drawings



Overview of items

Swivel feet plates extended, plastic

Order No.	Form	D	H	Load rating max. kN
K0654.40803	D	80	21	30