

Press-in plug with dipstick Form C, with vent and air filter

Item description/product images



Description

Material:

Housing and cap thermoplastic polyamide 66.
Air filter polyurethane (PU foam).
Dipstick zinc.
O-ring NBR, Shore 70.

Version:

Housing black.
Cap red.
Filter mesh 50 μm .
Dipstick phosphated.

Note:

Temperature resistant to 100°C.

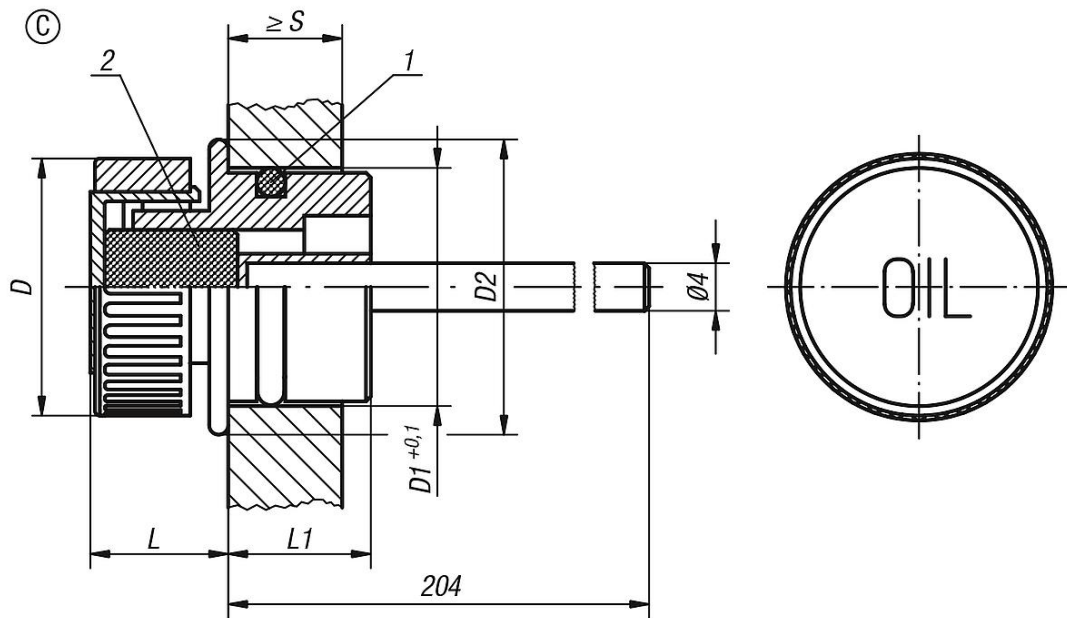
On request:

Min-Max markings.

Drawing reference:

- 1) O-ring
- 2) air filter

Drawings



Overview of items

Order No.	Form	D	D1	D2	L	L1	S
K0462.33018	C	30	18	23	14	14	8 min.

Press-in plugs with dipstick Form C, with vent and air filter

Overview of items
