

Pull handles, stainless steel, slanted both sides, mounting from the rear

Item description/product images



Description

Material:

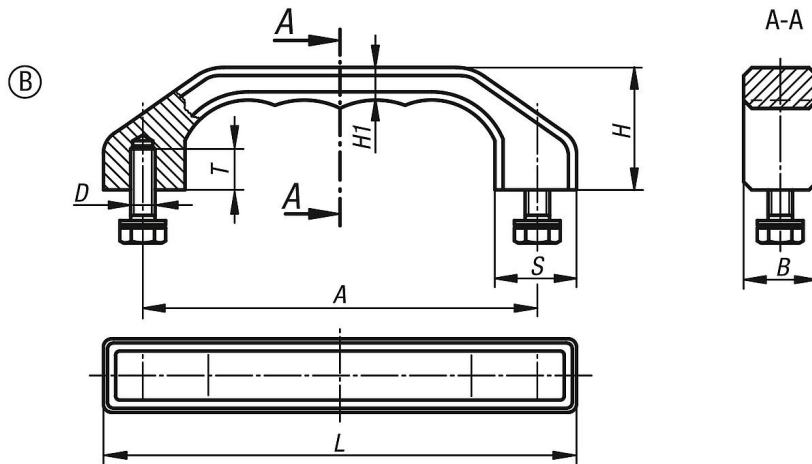
Investment cast 1.4308 stainless steel.

Fasteners 1.4301 stainless steel.

Version:

Abrasive cleaned and matt gloss electropolished.

Drawings



Overview of items

Order No.	Form	A	B	D	H	H1	L	S	T	Load capacity N
K0198.140082	B	140	25	M8x18	45	12	170	28	15	1000
K0198.180102	B	180	32	M10x20	58	15	218	36	18	1000