

## Knurled knobs with grip, Form M, with cross hole and grub screw

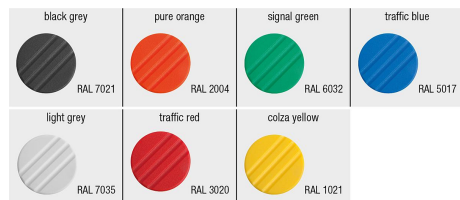
### Item description/product images



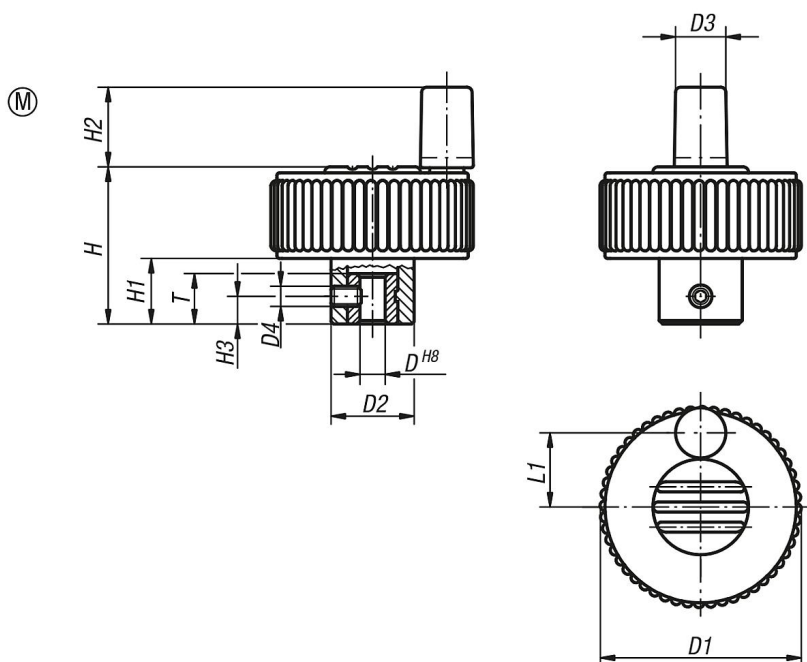
### Description

**Material:**  
Black thermoplastic.  
Bush grade 5.8 steel.

**Version:**  
Steel trivalent blue-passivated.



### Drawings



### Overview of items

Order No.	Form	Colour Cap	D	D1	D2	D3	D4	H	H1	H2	H3	L1	T
K0262.1106	M	black grey RAL 7021	6H8	40	16,5	10	M4	31	13	16	5,5	15	10
K0262.11061	M	orange RAL 2004	6H8	40	16,5	10	M4	31	13	16	5,5	15	10
K0262.11062	M	signal green RAL6032	6H8	40	16,5	10	M4	31	13	16	5,5	15	10
K0262.11063	M	blue RAL5017	6H8	40	16,5	10	M4	31	13	16	5,5	15	10
K0262.11065	M	light grey RAL 7035	6H8	40	16,5	10	M4	31	13	16	5,5	15	10
K0262.11066	M	traffic red RAL 3020	6H8	40	16,5	10	M4	31	13	16	5,5	15	10
K0262.11067	M	colza yellow RAL 1021	6H8	40	16,5	10	M4	31	13	16	5,5	15	10
K0262.1206	M	black grey RAL 7021	6H8	50	18	10	M4	36	15	16	5,5	18,5	10
K0262.12061	M	orange RAL 2004	6H8	50	18	10	M4	36	15	16	5,5	18,5	10
K0262.12062	M	signal green RAL6032	6H8	50	18	10	M4	36	15	16	5,5	18,5	10
K0262.12063	M	blue RAL5017	6H8	50	18	10	M4	36	15	16	5,5	18,5	10
K0262.12065	M	light grey RAL 7035	6H8	50	18	10	M4	36	15	16	5,5	18,5	10
K0262.12066	M	traffic red RAL 3020	6H8	50	18	10	M4	36	15	16	5,5	18,5	10

## Knurled knobs with grip, Form M, with cross hole and grub screw

### Overview of items

Order No.	Form	Colour Cap	D	D1	D2	D3	D4	H	H1	H2	H3	L1	T
K0262.12067	M	colza yellow RAL 1021	6H8	50	18	10	M4	36	15	16	5,5	18,5	10
K0262.1308	M	black grey RAL 7021	8H8	63	22	10	M4	41	17	16	8	25	14
K0262.13081	M	orange RAL 2004	8H8	63	22	10	M4	41	17	16	8	25	14
K0262.13082	M	signal green RAL6032	8H8	63	22	10	M4	41	17	16	8	25	14
K0262.13083	M	blue RAL5017	8H8	63	22	10	M4	41	17	16	8	25	14
K0262.13085	M	light grey RAL 7035	8H8	63	22	10	M4	41	17	16	8	25	14
K0262.13086	M	traffic red RAL 3020	8H8	63	22	10	M4	41	17	16	8	25	14
K0262.13087	M	colza yellow RAL 1021	8H8	63	22	10	M4	41	17	16	8	25	14