

Handwheels disc, aluminium, with fixed cylinder grip

Item description/product images



Description

Material:

Disc handwheel aluminium.
Cylinder grip black thermoset PF 31-DIN 7708.
Hub electro zinc-plated steel.

Version:

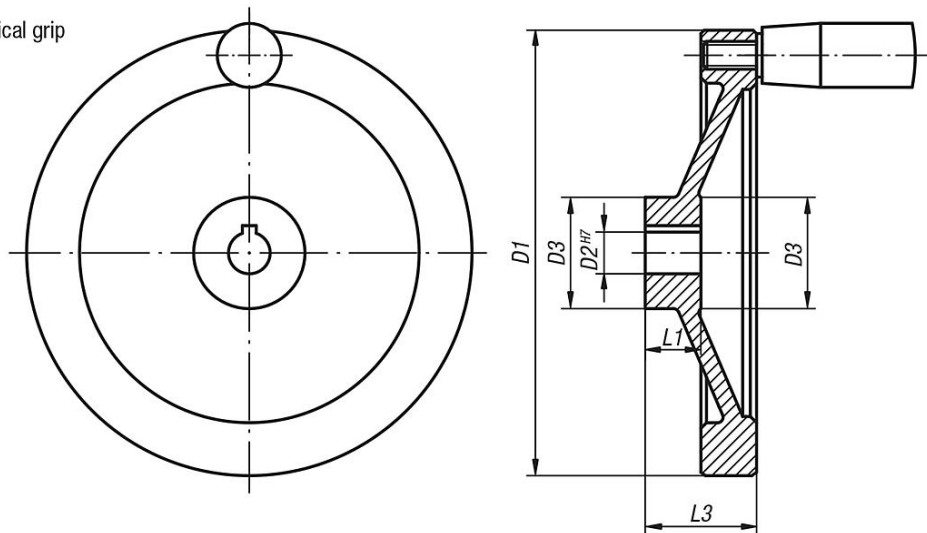
Wheel rim turned and polished.

On request:

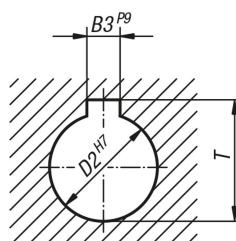
Hubs with square socket or powder-coated handwheels.

Drawings

with fixed cylindrical grip



DIN 6885-1



Overview of items

Order No.	Version 1	D1	D2	D3	L1	L3	B3	T	Fixed cylinder grip
K0161.2080X10	reamed hole	80	10H7	26	16	31	-	-	ø18 x M6 x 40
K0161.2080X12	reamed hole	80	12H7	26	16	31	-	-	ø18 x M6 x 40

Handwheels disc, aluminium, with fixed cylinder grip

Overview of items

Order No.	Version 1	D1	D2	D3	L1	L3	B3	T	Fixed cylinder grip
K0161.2100X10	reamed hole	100	10H7	31	17	34	-	-	ø18 x M6 x 40
K0161.2100X12	reamed hole	100	12H7	31	17	34	-	-	ø18 x M6 x 40
K0161.2125X12	reamed hole	125	12H7	30	18	37	-	-	ø21 x M8 x 50
K0161.2125X14	reamed hole	125	14H7	30	18	37	-	-	ø21 x M8 x 50
K0161.2140X14	reamed hole	140	14H7	34	19	34	-	-	ø21 x M8 x 50
K0161.2140X15	reamed hole	140	15H7	34	19	34	-	-	ø21 x M8 x 50
K0161.2160X15	reamed hole	160	15H7	40	20	40	-	-	ø26 x M10 x 80
K0161.2160X16	reamed hole	160	16H7	40	20	40	-	-	ø26 x M10 x 80
K0161.2200X18	reamed hole	200	18H7	50	24	46	-	-	ø26 x M10 x 80
K0161.2200X20	reamed hole	200	20H7	50	24	46	-	-	ø26 x M10 x 80
K0161.2250X22	reamed hole	250	22H7	50	28	49	-	-	ø28 x M12 x 90
K0161.2250X24	reamed hole	250	24H7	50	28	49	-	-	ø28 x M12 x 90
K0161.3080X10	reamed hole with slot	80	10H7	26	16	31	3	11,4	ø18 x M6 x 40
K0161.3080X12	reamed hole with slot	80	12H7	26	16	31	4	13,8	ø18 x M6 x 40
K0161.3100X10	reamed hole with slot	100	10H7	31	17	34	3	11,4	ø18 x M6 x 40
K0161.3100X12	reamed hole with slot	100	12H7	31	17	34	4	13,8	ø18 x M6 x 40
K0161.3125X12	reamed hole with slot	125	12H7	30	18	37	4	13,8	ø21 x M8 x 50
K0161.3125X14	reamed hole with slot	125	14H7	30	18	37	5	16,3	ø21 x M8 x 50
K0161.3140X14	reamed hole with slot	140	14H7	34	19	34	5	16,3	ø21 x M8 x 50
K0161.3140X15	reamed hole with slot	140	15H7	34	19	34	5	17,3	ø21 x M8 x 50
K0161.3160X15	reamed hole with slot	160	15H7	40	20	40	5	17,3	ø26 x M10 x 80
K0161.3160X16	reamed hole with slot	160	16H7	40	20	40	5	18,3	ø26 x M10 x 80
K0161.3200X18	reamed hole with slot	200	18H7	50	24	46	6	20,8	ø26 x M10 x 80
K0161.3200X20	reamed hole with slot	200	20H7	50	24	46	6	22,8	ø26 x M10 x 80
K0161.3250X22	reamed hole with slot	250	22H7	50	28	49	6	24,8	ø28 x M12 x 90
K0161.3250X24	reamed hole with slot	250	24H7	50	28	49	8	27,3	ø28 x M12 x 90