

## Ball knobs smooth DIN 319 enhanced, Form E, with tapped bush

### Item description/product images



### Description

#### Material:

Black thermoset PF 31.

Bush electro zinc-plated steel.

#### Version:

High-gloss polished.

#### Note:

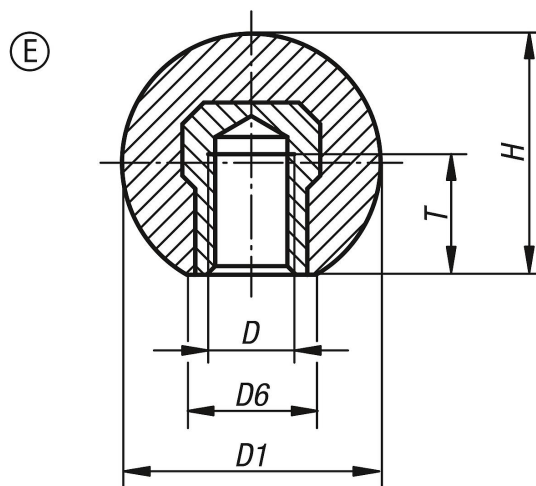
The version K0159.21604 has a brass bush.

The versions K0159.23008, K0159.23508 and K0159.24008 have copper-plated steel bushes.

#### On request:

\* These versions are available from stock in dark red at extra charge.

### Drawings



### Overview of items

Order No.	Form	Main colour	D	D1	D6	H	T
K0159.21604	E	black	M4	16	8	15	6
K0159.22005	E	black	M5	20	12	18	7,5
K0159.22006	E	black	M6	20	12	18	9
K0159.22506	E	black	M6	25	15	23	9
K0159.22508	E	black	M8	25	15	23	12
K0159.23008	E	black	M8	30	16	28	12
K0159.23208	E	black	M8	32	18	29	12
K0159.23210	E	black	M10	32	18	29	15
K0159.23508	E	black	M8	36	17	33	14
K0159.23510	E	black	M10	36	17	33	14
K0159.24008	E	black	M8	40	20	37,5	14
K0159.24010	E	black	M10	40	20	37,5	15
K0159.24012	E	black	M12	40	20	37,5	18
K0159.24510	E	black	M10	45	20	43	22
K0159.24512	E	black	M12	45	20	43	21
K0159.25010	E	black	M10	50	22	48	15
K0159.25012	E	black	M12	50	28	48	18
K0159.220051	E	red	M5	20	12	18	7,5

**Ball knobs smooth DIN 319 enhanced, Form E, with tapped bush****Overview of items**

Order No.	Form	Main colour	D	D1	D6	H	T
K0159.225061	E	red	M6	25	15	23	9
K0159.230081	E	red	M8	30	16	28	12
K0159.235101	E	red	M10	36	17	33	14
K0159.240101	E	red	M10	40	20	37,5	15
K0159.240121	E	red	M12	40	20	37,5	18
K0159.250121	E	red	M12	50	28	48	18