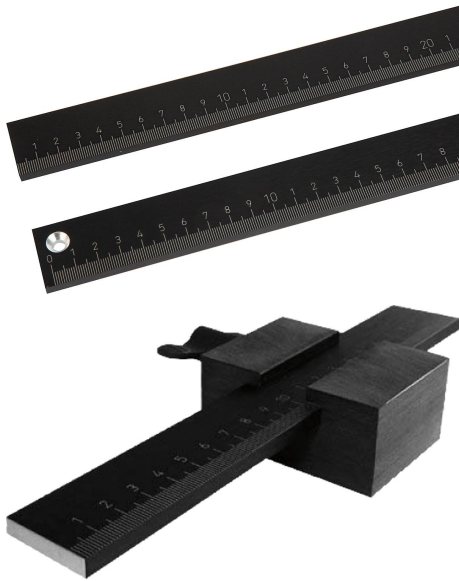


Linear scales self-adhesive or with screw holes, aluminium

Item description/product images



Description

Material:

Aluminium.

Version:

Scale surface ground and black anodised

Note:

Rigid, heavy-duty design aluminium linear scales.
Cross section 30 x 6 mm.

Black anodised surface and high contrast graduations for legibility without shading.
The graduations are deep lasered.

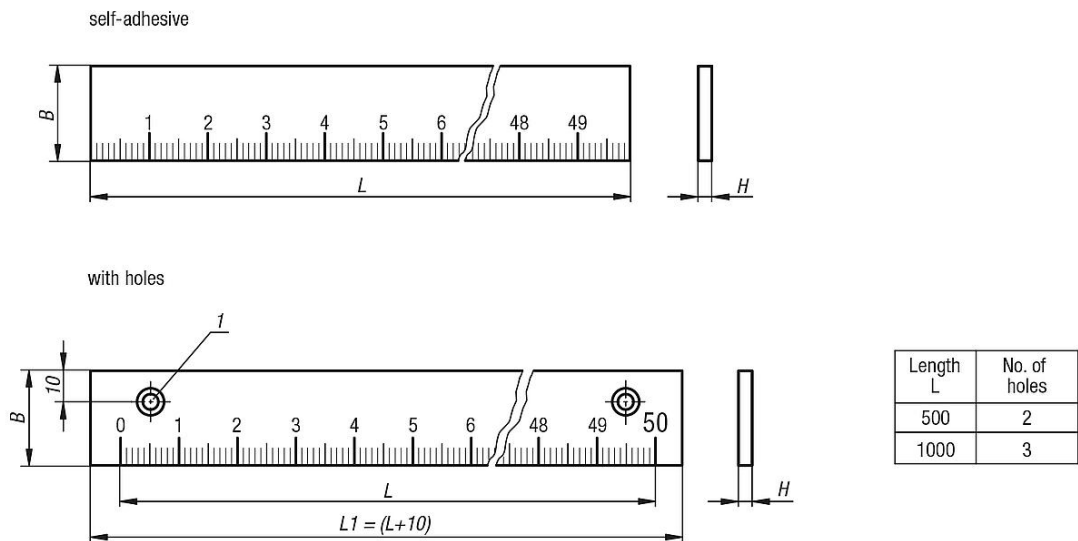
On request:

- Zero mark right or centre
- Graduations top or both sides
- Other lengths

Drawing reference:

1) counterbore to DIN 74-B f 5

Drawings



Overview of items

Linear scales self-adhesive or with screw holes, aluminium

Order No.	Kind of fastening	Version 1	Zero point	Division	Graduations	B	H	L	L1
K0758.000010X0500	self adhesive	horizontal	left	1 mm	bottom	30	6	500	500
K0758.000010X1000	self adhesive	horizontal	left	1 mm	bottom	30	6	1000	1000
K0758.100010X0500	fastening holes	horizontal	left	1 mm	bottom	30	6	500	510
K0758.100010X1000	fastening holes	horizontal	left	1 mm	bottom	30	6	1000	1010

