

Levelling feet steel or stainless steel Form A

Item description/product images



Description

Material:

Foot plate and threaded spindle steel or stainless steel.
Rubber support (NBR) 80 Shore.

Version:

Foot plate and threaded spindle electro zinc-plated steel.
Foot plate polished stainless steel.
Threaded spindle bright stainless steel.
Rubber support, vulcanised, black.

Note:

Levelling feet steel or stainless steel with pivoting threaded spindle and rubber base. The solid rubber base is permanently vulcanised to the sheet metal plate. The rubber base has an excellent surface grip. It is sound damping and impedes transmission of vibrations and impacts to the floor.

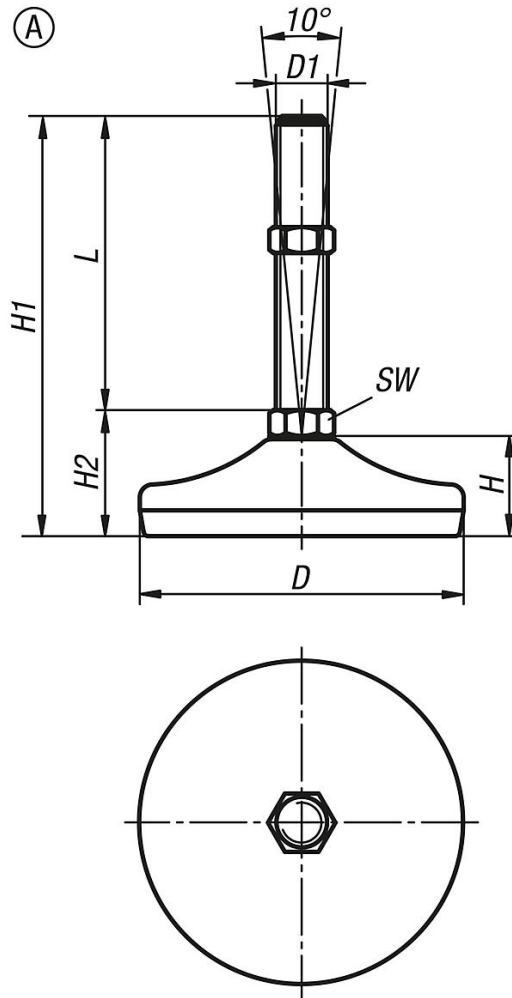
The load values specified in the table are based on a test series, in which a static load was applied perpendicular to the plates through the centre of the spindle. Radially acting forces such as those produced by vibrations or other shaking effects, affect the load rating and are not taken into account for the specified values.

For stainless steel feet from spindle size M16, the wrench sizes apply across two flats.

Supplied with matching nut.

Levelling feet steel or stainless steel Form A

Drawings



Overview of items

Order No.	Form	Main material	D	D1	H	H1	H2	SW	L	Load rating max. kN (static load only)
K0739.1105010X50	A	steel	50	M10	19	79	29	14	50	4
K0739.1105010X100	A	steel	50	M10	19	129	29	14	100	4
K0739.1105012X50	A	steel	50	M12	19	79	29	14	50	4
K0739.1105012X100	A	steel	50	M12	19	129	29	14	100	4
K0739.1105012X150	A	steel	50	M12	19	179	29	14	150	4
K0739.1106010X50	A	steel	60	M10	22	82	32	14	50	7
K0739.1106010X100	A	steel	60	M10	22	132	32	14	100	7
K0739.1106012X50	A	steel	60	M12	22	82	32	14	50	7
K0739.1106012X100	A	steel	60	M12	22	132	32	14	100	7
K0739.1106012X150	A	steel	60	M12	22	182	32	14	150	7
K0739.1108010X50	A	steel	80	M10	25	85	35	14	50	10
K0739.1108010X100	A	steel	80	M10	25	135	35	14	100	10
K0739.1108012X50	A	steel	80	M12	25	85	35	14	50	10
K0739.1108012X100	A	steel	80	M12	25	135	35	14	100	10
K0739.1108012X150	A	steel	80	M12	25	185	35	14	150	10
K0739.1108014X50	A	steel	80	M14	25	85	35	14	50	10
K0739.1108014X100	A	steel	80	M14	25	135	35	14	100	10
K0739.1108014X150	A	steel	80	M14	25	185	35	14	150	10
K0739.1108016X100	A	steel	80	M16	25	135	35	16	100	10
K0739.1108016X150	A	steel	80	M16	25	185	35	16	150	10
K0739.1108020X75	A	steel	80	M20	25	111	36	20	75	10

Levelling feet steel or stainless steel Form A

Overview of items

Order No.	Form	Main material	D	D1	H	H1	H2	SW	L	Load rating max. kN (static load only)
K0739.1108020X100	A	steel	80	M20	25	136	36	20	100	10
K0739.1108020X150	A	steel	80	M20	25	186	36	20	150	10
K0739.1108020X200	A	steel	80	M20	25	236	36	20	200	10
K0739.1110020X75	A	steel	100	M20	28	113,5	38,5	20	75	15
K0739.1110020X100	A	steel	100	M20	28	138,5	38,5	20	100	15
K0739.1110020X150	A	steel	100	M20	28	188,5	38,5	20	150	15
K0739.1110020X200	A	steel	100	M20	28	238,5	38,5	20	200	15
K0739.1110020X250	A	steel	100	M20	28	288,5	38,5	20	250	15
K0739.1110024X100	A	steel	100	M24	28	138,5	38,5	24	100	15
K0739.1110024X150	A	steel	100	M24	28	188,5	38,5	24	150	15
K0739.1110024X200	A	steel	100	M24	28	238,5	38,5	24	200	15
K0739.1110024X250	A	steel	100	M24	28	288,5	38,5	24	250	15
K0739.1112020X100	A	steel	120	M20	32	142,5	42,5	20	100	30
K0739.1112020X150	A	steel	120	M20	32	192,5	42,5	20	150	30
K0739.1112020X200	A	steel	120	M20	32	242,5	42,5	20	200	30
K0739.1112024X100	A	steel	120	M24	32	142,5	42,5	24	100	30
K0739.1112024X150	A	steel	120	M24	32	192,5	42,5	24	150	30
K0739.1112024X200	A	steel	120	M24	32	242,5	42,5	24	200	30
K0739.1112030X100	A	steel	120	M30	32	143,5	43,5	30	100	30
K0739.1112030X150	A	steel	120	M30	32	193,5	43,5	30	150	30
K0739.1112030X200	A	steel	120	M30	32	243,5	43,5	30	200	30
K0739.1205010X50	A	stainless steel	50	M10	19	79	29	14	50	4
K0739.1205010X100	A	stainless steel	50	M10	19	129	29	14	100	4
K0739.1205012X50	A	stainless steel	50	M12	19	79	29	14	50	4
K0739.1205012X100	A	stainless steel	50	M12	19	129	29	14	100	4
K0739.1205012X150	A	stainless steel	50	M12	19	179	29	14	150	4
K0739.1206010X50	A	stainless steel	60	M10	22	82	32	14	50	7
K0739.1206010X100	A	stainless steel	60	M10	22	132	32	14	100	7
K0739.1206012X50	A	stainless steel	60	M12	22	82	32	14	50	7
K0739.1206012X100	A	stainless steel	60	M12	22	132	32	14	100	7
K0739.1206012X150	A	stainless steel	60	M12	22	182	32	14	150	7
K0739.1208010X50	A	stainless steel	80	M10	25	85	35	14	50	10
K0739.1208010X75	A	stainless steel	80	M10	25	110	35	14	75	10
K0739.1208010X100	A	stainless steel	80	M10	25	135	35	14	100	10
K0739.1208010X125	A	stainless steel	80	M10	25	160	35	14	125	10
K0739.1208012X50	A	stainless steel	80	M12	25	85	35	14	50	10
K0739.1208012X75	A	stainless steel	80	M12	25	110	35	14	75	10
K0739.1208012X100	A	stainless steel	80	M12	25	135	35	14	100	10
K0739.1208012X125	A	stainless steel	80	M12	25	160	35	14	125	10
K0739.1208012X150	A	stainless steel	80	M12	25	185	35	14	150	10
K0739.1208014X75	A	stainless steel	80	M14	25	110	35	14	75	10
K0739.1208014X100	A	stainless steel	80	M14	25	135	35	14	100	10
K0739.1208014X125	A	stainless steel	80	M14	25	160	35	14	125	10
K0739.1208014X150	A	stainless steel	80	M14	25	185	35	14	150	10
K0739.1208014X175	A	stainless steel	80	M14	25	210	35	14	175	10
K0739.1208016X75	A	stainless steel	80	M16	25	110	35	13	75	10
K0739.1208016X100	A	stainless steel	80	M16	25	135	35	13	100	10
K0739.1208016X125	A	stainless steel	80	M16	25	160	35	13	125	10
K0739.1208016X150	A	stainless steel	80	M16	25	185	35	13	150	10
K0739.1208016X175	A	stainless steel	80	M16	25	210	35	13	175	10
K0739.1208020X75	A	stainless steel	80	M20	25	113	38	17	75	10
K0739.1208020X100	A	stainless steel	80	M20	25	138	38	17	100	10
K0739.1208020X125	A	stainless steel	80	M20	25	163	38	17	125	10
K0739.1208020X150	A	stainless steel	80	M20	25	188	38	17	150	10
K0739.1208020X175	A	stainless steel	80	M20	25	213	38	17	175	10
K0739.1208020X200	A	stainless steel	80	M20	25	238	38	17	200	10
K0739.1208020X225	A	stainless steel	80	M20	25	263	38	17	225	10
K0739.1210020X75	A	stainless steel	100	M20	30	118	43	17	75	15
K0739.1210020X100	A	stainless steel	100	M20	30	143	43	17	100	15
K0739.1210020X125	A	stainless steel	100	M20	30	168	43	17	125	15
K0739.1210020X150	A	stainless steel	100	M20	30	193	43	17	150	15

Levelling feet steel or stainless steel Form A

Overview of items

Order No.	Form	Main material	D	D1	H	H1	H2	SW	L	Load rating max. kN (static load only)
K0739.1210020X175	A	stainless steel	100	M20	30	218	43	17	175	15
K0739.1210020X200	A	stainless steel	100	M20	30	243	43	17	200	15
K0739.1210024X100	A	stainless steel	100	M24	30	144	44	20	100	15
K0739.1210024X125	A	stainless steel	100	M24	30	169	44	20	125	15
K0739.1210024X150	A	stainless steel	100	M24	30	194	44	20	150	15
K0739.1210024X175	A	stainless steel	100	M24	30	219	44	20	175	15
K0739.1210024X200	A	stainless steel	100	M24	30	244	44	20	200	15
K0739.1212020X100	A	stainless steel	120	M20	32	143	43	17	100	30
K0739.1212020X150	A	stainless steel	120	M20	32	192	42	17	150	30
K0739.1212020X200	A	stainless steel	120	M20	32	242	42	17	200	30
K0739.1212024X100	A	stainless steel	120	M24	32	144	44	20	100	30
K0739.1212024X150	A	stainless steel	120	M24	32	194	44	20	150	30
K0739.1212024X200	A	stainless steel	120	M24	32	244	44	20	200	30
K0739.1212030X100	A	stainless steel	120	M30	32	147	47	26	100	30
K0739.1212030X150	A	stainless steel	120	M30	32	196	46	26	150	30
K0739.1212030X200	A	stainless steel	120	M30	32	246	46	26	200	30