

Triangular grips, external thread

Item description/product images



Description

Material:

Grip glass-bead reinforced thermoplastic.

Cap thermoplastic.

Steel parts grade 5.8.

Version:

Grip and cap black grey (RAL 7021).

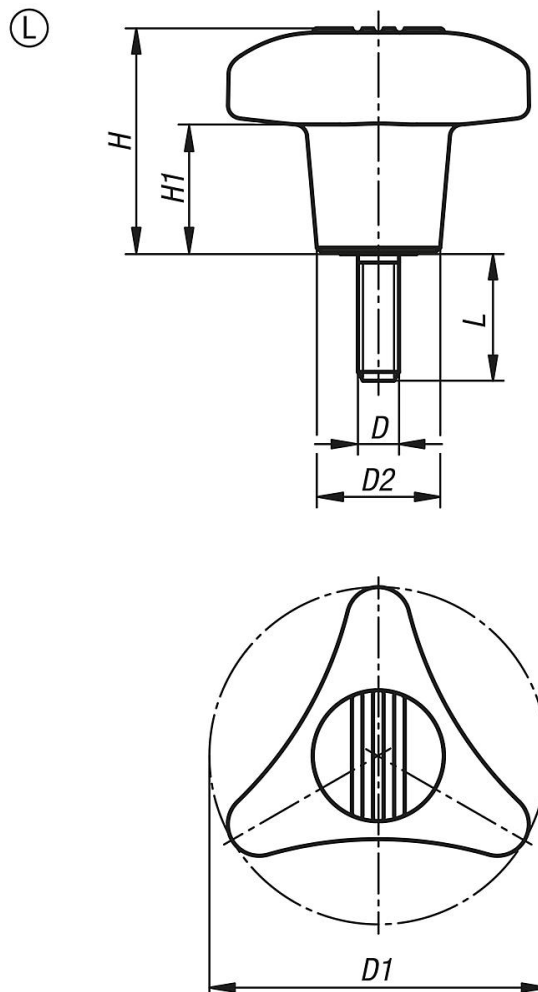
Steel parts blue-passivated.

On request:

Other screw lengths and colours.

Metal parts stainless steel.

Drawings



Triangular grips, external thread

Overview of items

| Order No. | Form | D | D1 | D2 | H | H1 | L |
|----------------|------|-----|----|------|------|----|----|
| K1020.18008X15 | L | M8 | 80 | 29,2 | 53,5 | 31 | 15 |
| K1020.18008X20 | L | M8 | 80 | 29,2 | 53,5 | 31 | 20 |
| K1020.18008X30 | L | M8 | 80 | 29,2 | 53,5 | 31 | 30 |
| K1020.18008X40 | L | M8 | 80 | 29,2 | 53,5 | 31 | 40 |
| K1020.18008X50 | L | M8 | 80 | 29,2 | 53,5 | 31 | 50 |
| K1020.18010X15 | L | M10 | 80 | 29,2 | 53,5 | 31 | 15 |
| K1020.18010X20 | L | M10 | 80 | 29,2 | 53,5 | 31 | 20 |
| K1020.18010X30 | L | M10 | 80 | 29,2 | 53,5 | 31 | 30 |
| K1020.18010X40 | L | M10 | 80 | 29,2 | 53,5 | 31 | 40 |
| K1020.18010X50 | L | M10 | 80 | 29,2 | 53,5 | 31 | 50 |
| K1020.18012X15 | L | M12 | 80 | 29,2 | 53,5 | 31 | 15 |
| K1020.18012X20 | L | M12 | 80 | 29,2 | 53,5 | 31 | 20 |
| K1020.18012X30 | L | M12 | 80 | 29,2 | 53,5 | 31 | 30 |
| K1020.18012X40 | L | M12 | 80 | 29,2 | 53,5 | 31 | 40 |
| K1020.18012X50 | L | M12 | 80 | 29,2 | 53,5 | 31 | 50 |