

Palm grips similar to DIN 6335, metal parts stainless steel

Item description/product images



Description

Material:

Thermoset PF 31, black.

Metal parts stainless steel 1.4301.

Version:

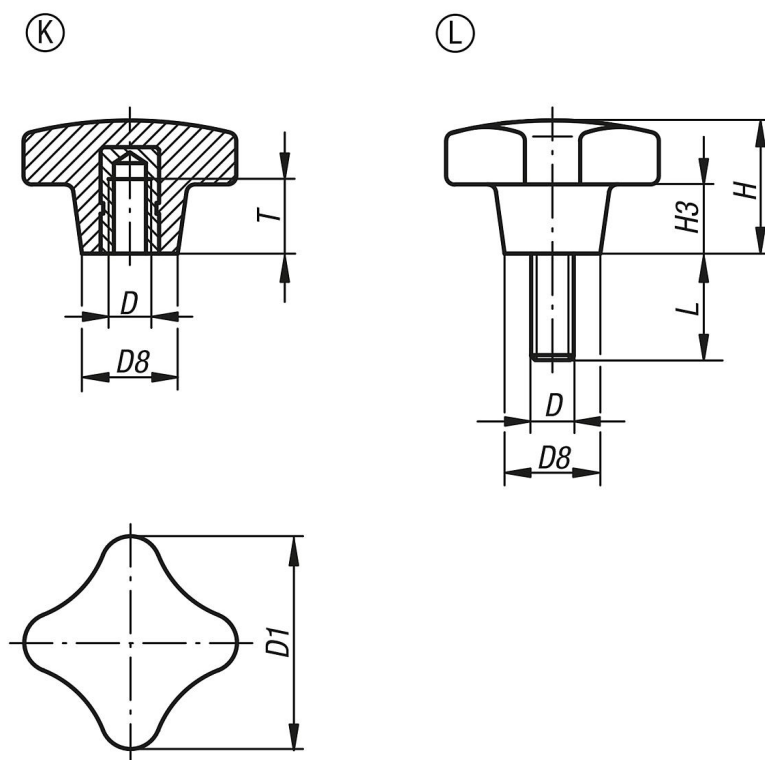
High-gloss polished, black.

Drawing reference:

Form K: tapped bush

Form L: external thread

Drawings



Overview of items

Palm grips metal parts stainless steel Form K

Order No.	Form	Component material	D	D1	D8	H	H3	L	T
K1017.22505	K	stainless steel	M5	25	12	16	8	-	9,5
K1017.23206	K	stainless steel	M6	32	14	20	10	-	12
K1017.24008	K	stainless steel	M8	40	18	25	13	-	14
K1017.25010	K	stainless steel	M10	50	22	32	20	-	18
K1017.26312	K	stainless steel	M12	63	26	40	25	-	22
K1017.52505X15	L	stainless steel	M5	25	12	16	8	15	-
K1017.52505X20	L	stainless steel	M5	25	12	16	8	20	-
K1017.53206X15	L	stainless steel	M6	32	14	20	10	15	-
K1017.53206X20	L	stainless steel	M6	32	14	20	10	20	-

Palm grips similar to DIN 6335, metal parts stainless steel

Overview of items

Order No.	Form	Component material	D	D1	D8	H	H3	L	T
K1017.53206X25	L	stainless steel	M6	32	14	20	10	25	-
K1017.53206X30	L	stainless steel	M6	32	14	20	10	30	-
K1017.53206X40	L	stainless steel	M6	32	14	20	10	40	-
K1017.53206X50	L	stainless steel	M6	32	14	20	10	50	-
K1017.54008X20	L	stainless steel	M8	40	18	25	13	20	-
K1017.54008X25	L	stainless steel	M8	40	18	25	13	25	-
K1017.54008X30	L	stainless steel	M8	40	18	25	13	30	-
K1017.54008X40	L	stainless steel	M8	40	18	25	13	40	-
K1017.54008X50	L	stainless steel	M8	40	18	25	13	50	-

Palm grips metal parts stainless steel Form L

Order No.	Form	Component material	D	D1	D8	H	H3	L
K1017.52505X15	L	stainless steel	M5	25	12	16	8	15
K1017.52505X20	L	stainless steel	M5	25	12	16	8	20
K1017.53206X15	L	stainless steel	M6	32	14	20	10	15
K1017.53206X20	L	stainless steel	M6	32	14	20	10	20
K1017.53206X25	L	stainless steel	M6	32	14	20	10	25
K1017.53206X30	L	stainless steel	M6	32	14	20	10	30
K1017.53206X40	L	stainless steel	M6	32	14	20	10	40
K1017.53206X50	L	stainless steel	M6	32	14	20	10	50
K1017.54008X20	L	stainless steel	M8	40	18	25	13	20
K1017.54008X25	L	stainless steel	M8	40	18	25	13	25
K1017.54008X30	L	stainless steel	M8	40	18	25	13	30
K1017.54008X40	L	stainless steel	M8	40	18	25	13	40
K1017.54008X50	L	stainless steel	M8	40	18	25	13	50