

## Levelling feet without hole

### Item description/product images

---



### Description

**Material:**

Foot plate and threaded spindle in steel.

**Version:**

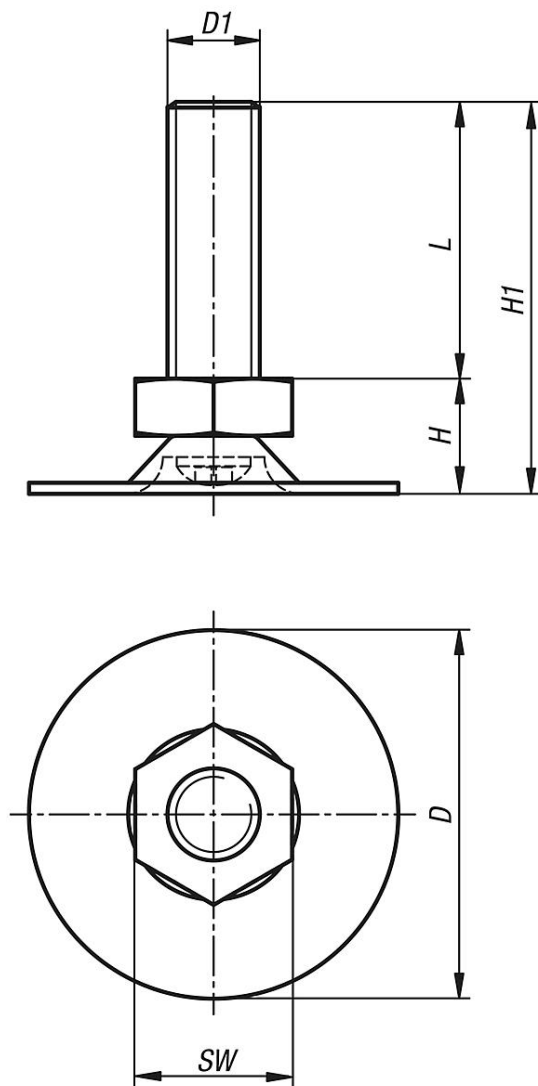
Foot plate and threaded spindle electro zinc-plated.

**Note:**

The threaded spindle is pressed into the rotatable base.

# Levelling feet without hole

## Drawings



## Overview of items

Order No.	Version 1	D	D1	H	H1	L	SW
K0678.03008X016	without hole	30	M8	11	27	16	13
K0678.03008X020	without hole	30	M8	11	31	20	13
K0678.03008X030	without hole	30	M8	11	41	30	13
K0678.03008X040	without hole	30	M8	11	51	40	13
K0678.03008X050	without hole	30	M8	11	61	50	13
K0678.03010X016	without hole	30	M10	12,5	28,5	16	17
K0678.03010X020	without hole	30	M10	12,5	32,5	20	17
K0678.03010X030	without hole	30	M10	12,5	42,5	30	17
K0678.03010X040	without hole	30	M10	12,5	52,5	40	17
K0678.03010X050	without hole	30	M10	12,5	62,5	50	17
K0678.03010X060	without hole	30	M10	12,5	72,5	60	17
K0678.04008X016	without hole	40	M8	11	27	16	13
K0678.04008X020	without hole	40	M8	11	31	20	13
K0678.04008X030	without hole	40	M8	11	41	30	13
K0678.04008X040	without hole	40	M8	11	51	40	13
K0678.04008X050	without hole	40	M8	11	61	50	13
K0678.04010X016	without hole	40	M10	11	27	16	17
K0678.04010X020	without hole	40	M10	11	31	20	17
K0678.04010X030	without hole	40	M10	11	41	30	17

## Levelling feet without hole

### Overview of items

Order No.	Version 1	D	D1	H	H1	L	SW
K0678.04010X040	without hole	40	M10	11	51	40	17
K0678.04010X050	without hole	40	M10	11	61	50	17
K0678.04010X060	without hole	40	M10	11	71	60	17
K0678.05008X016	without hole	50	M8	12,5	28,5	16	13
K0678.05008X020	without hole	50	M8	12,5	32,5	20	13
K0678.05008X030	without hole	50	M8	12,5	42,5	30	13
K0678.05008X040	without hole	50	M8	12,5	52,5	40	13
K0678.05008X050	without hole	50	M8	12,5	62,5	50	13
K0678.05010X016	without hole	50	M10	14	30	16	17
K0678.05010X020	without hole	50	M10	14	34	20	17
K0678.05010X030	without hole	50	M10	14	44	30	17
K0678.05010X040	without hole	50	M10	14	54	40	17
K0678.05010X050	without hole	50	M10	14	64	50	17
K0678.05010X060	without hole	50	M10	14	74	60	17
K0678.06008X016	without hole	60	M8	13,5	29,5	16	13
K0678.06008X020	without hole	60	M8	13,5	33,5	20	13
K0678.06008X030	without hole	60	M8	13,5	43,5	30	13
K0678.06008X040	without hole	60	M8	13,5	53,5	40	13
K0678.06008X050	without hole	60	M8	13,5	63,5	50	13
K0678.06010X016	without hole	60	M10	15	31	16	17
K0678.06010X020	without hole	60	M10	15	35	20	17
K0678.06010X030	without hole	60	M10	15	45	30	17
K0678.06010X040	without hole	60	M10	15	55	40	17
K0678.06010X050	without hole	60	M10	15	65	50	17
K0678.06010X060	without hole	60	M10	15	75	60	17