

Crank handles stainless steel with revolving grip

Item description/product images

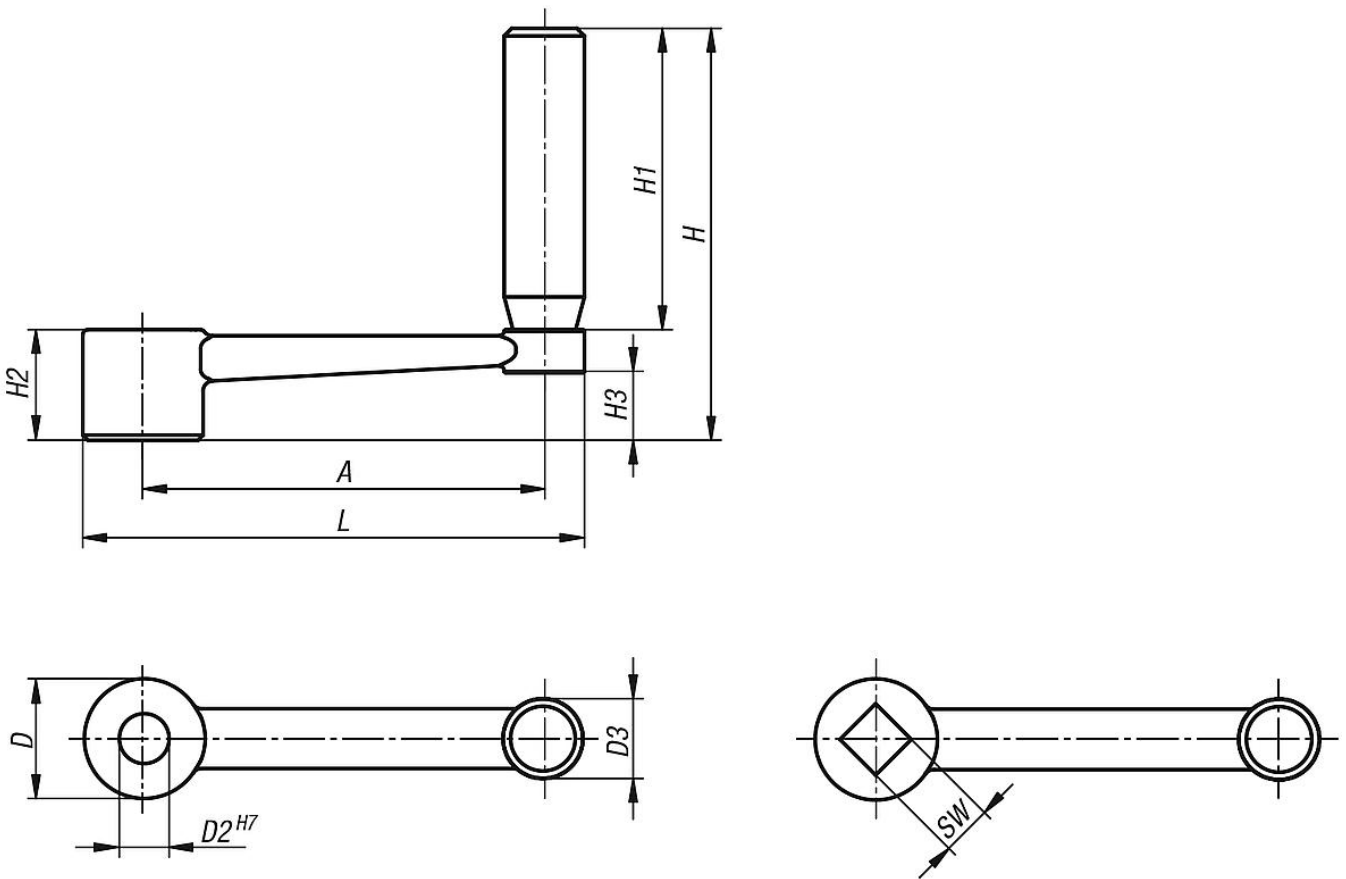


Description

Version:
Bright.

Note:
Similar to DIN 469.

Drawings



Overview of items

Crank handles stainless steel with cylindrical revolving grip

Order No.	Version 1	Version 2	A	D	D2	D3	H	H1	H2	H3	L	SW
K0999.3110	reamed hole	without transverse hole	80	24	10	16	82	60	22	13,4	100	-
K0999.3212	reamed hole	without transverse hole	100	28	12	20	98	72	26	16	124	-
K0999.3314	reamed hole	without transverse hole	125	30	14	26	118	90	28	15,8	153	-
K0999.3417	reamed hole	without transverse hole	160	34	17	26	122	90	32	19,6	190	-

Crank handles stainless steel with revolving grip

Overview of items

Order No.	Version 1	Version 2	A	D	D2	D3	H	H1	H2	H3	L	SW
K0999.4110	square socket	without transverse hole	80	24	-	16	82	60	22	13,4	100	10
K0999.4212	square socket	without transverse hole	100	28	-	20	98	72	26	16	124	12
K0999.4314	square socket	without transverse hole	125	30	-	26	118	90	28	15,8	153	14
K0999.4417	square socket	without transverse hole	160	34	-	26	122	90	32	19,6	190	17