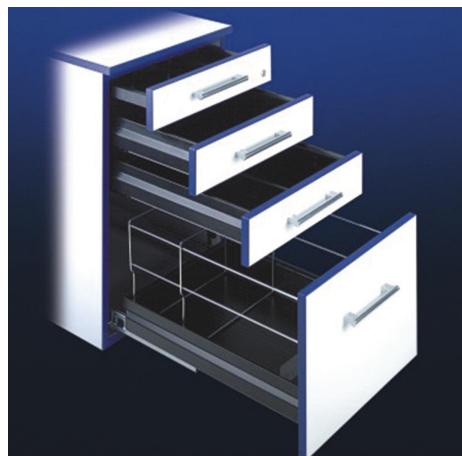


Telescopic slides partial extension, loading up to 15 kg

Item description/product images



Description

Material:

Slides steel.
Ball cages plastic.
Balls C-steel.

Version:

Slides, hot-dip galvanised.
Balls hardened.

Note:

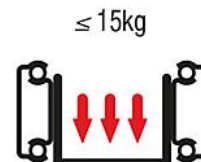
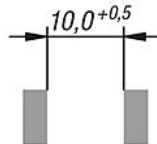
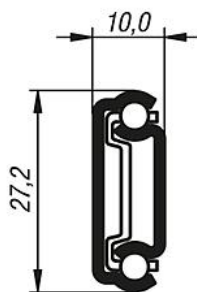
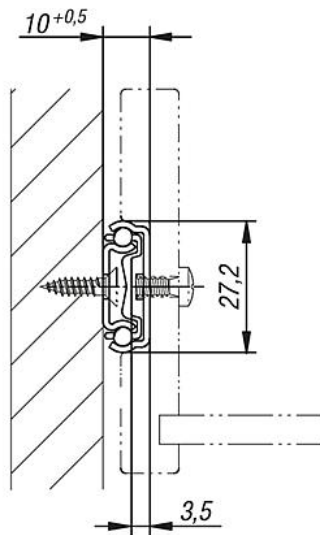
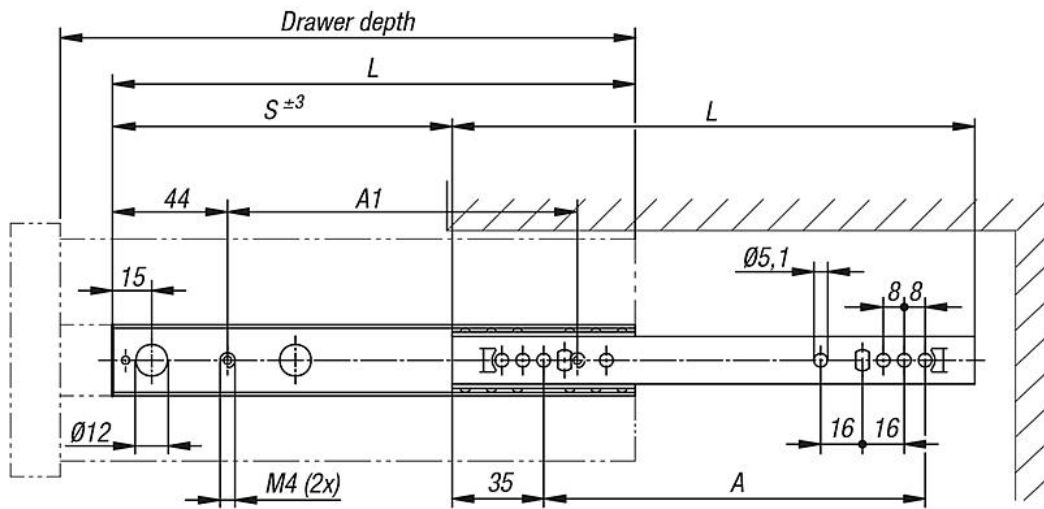
For telescopic slides with partial extension, the travel is less than the overall length. They are an inexpensive solution for low friction rails of drawers or similar. The dynamic load capacity of the telescopic slides indicates the maximum load rating of a vertically mounted slide pair when the entire extension length is used. The specified load-bearing capacities refer to the maximum value at 100,000 cycles. The telescopic slides can be extended in both directions.

Note:

All telescopic rails are tested to DIN EN 15338.

Telescopic slides partial extension, loading up to 15 kg

Drawings



Overview of items

Telescopic slides, partial extension, load capacity up to 15 kg

Telescopic slides partial extension, loading up to 15 kg

Overview of items

Order No.	A	A1	Travel S	L	Drawer depth from - to	Loading per pair kg
K0536.10406	352	330	276	406	406 - 672	15

Information about this article

Note: Here are products that will soon be discontinued in our range and are available as inexpensive special offers.

In pairs