

## Clamping levers, die-cast zinc with internal thread and protective cap, threaded insert black oxidised steel

Item description/product images



lift to  
disengage



### Description

#### Material:

Handle die-cast zinc DIN EN 12844.  
Steel parts grade 5.8.  
Protective cap stainless steel 1.4305.

#### Version:

Handle powder-coated.  
Steel parts black oxidised.  
Caps bright stainless steel.

#### Note:

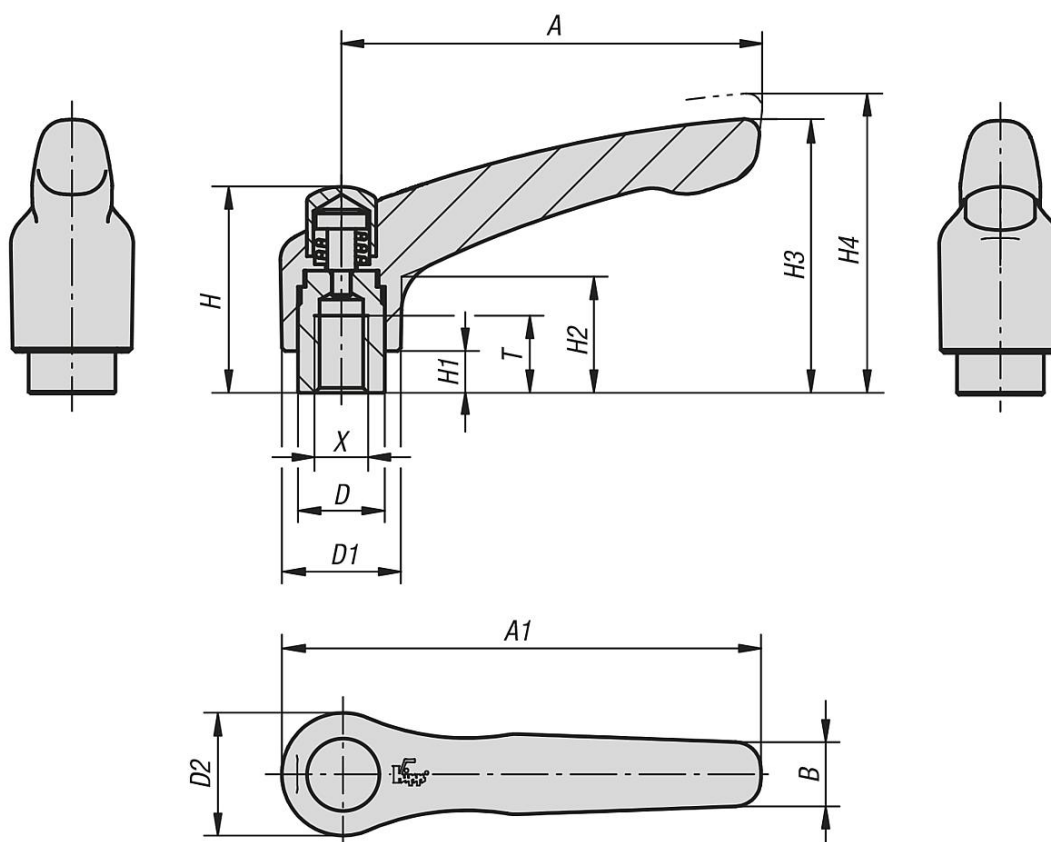
Standard colours are:  
orange RAL 2004.

#### On request:

Other threads, colours and special versions.  
Dimension "H1" available in other lengths at extra charge.

# Clamping levers, die-cast zinc with internal thread and protective cap, threaded insert black oxidised steel

Drawings



## Overview of items

### Clamping levers with protective cap, female thread

Order No.	Main colour	Size	X	T	D	D1	D2	H	H1	H2	H3	H4	A	A1	B	No. of teeth
K0122.92062	orange RAL 2004	2	M6	12	13,5	18,5	19	32	6,5	17,5	42,5	45,5	65	74,5	9,5	20
K0122.92082	orange RAL 2004	2	M8	12	13,5	18,5	19	32	6,5	17,5	42,5	45,5	65	74,5	9,5	20
K0122.93082	orange RAL 2004	3	M8	14	16	21	22	41,5	10	24	54,5	58,5	80	91	11	22
K0122.93102	orange RAL 2004	3	M10	14	16	21	22	41,5	10	24	54,5	58,5	80	91	11	22