

Shoulder screws with slotted flat head DIN 923

Item description/product images

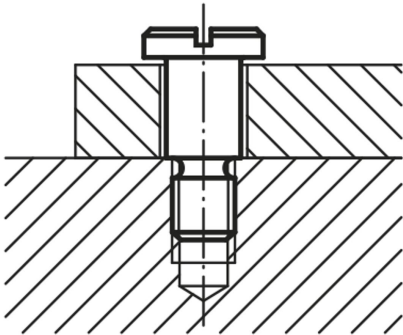


Description

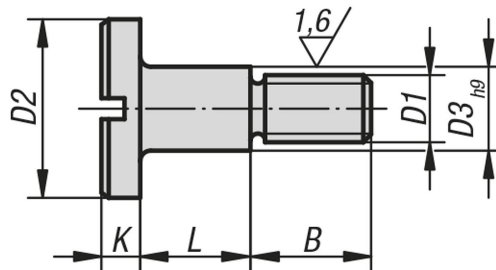
Material:
Steel.

Version:
Black oxidised, grade 5.8.

Note:
For use with captive C-washers K0703.



Drawings



Overview of items

Shoulder screws with slotted flat head DIN 923

| Order No. | D1 | D2 | D3 | L | B | K |
|-----------|-----|----|----|----------------|------|-----|
| K0704.06 | M6 | 13 | 8 | 10 +0,15/+0,07 | 9 | 3,1 |
| K0704.08 | M8 | 16 | 10 | 12 +0,2/+0,1 | 11 | 3,8 |
| K0704.10 | M10 | 20 | 13 | 16 +0,2/+0,1 | 13,5 | 4,6 |