

Rod ends with plain bearing internal thread, narrow version, DIN ISO 12240-4

Item description/product images



Description

Material:

Housing size (D) 6-10 turned steel.

From size (D) 12 forged steel.

Ball joint ball bearing steel, hardened, ground, polished and hard chromed.

Bearing shell ball bearing steel with PTFE weave glued in.

Version:

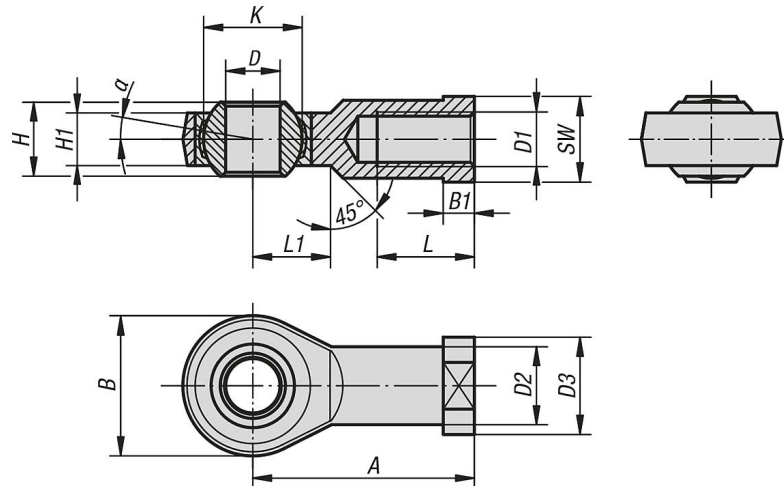
Electro zinc-plated.

Note:

The rod end bearing is maintenance-free.

The connection dimensions comply with DIN 648 Form Series E.

Drawings



Overview of items

Rod ends with plain bearing, internal thread, narrow version, DIN ISO 12240-4

Order No.	Version	D	D1	D2	D3	A	B	B1	H	H1	K	L	L1	SW	α	Dynamic base loads kN	Static base loads kN
K0723.101	LH thread	10 -0,008	M10	15	19	43	28	6,5	9	7	16	20	13	17	12°	8,6	17,6
K0723.10	RH thread	10 -0,008	M10	15	19	43	28	6,5	9	7	16	20	13	17	12°	8,6	17,6
K0723.121	LH thread	12 -0,008	M12	17,5	22	50	34	6,5	10	8	18	22	15	19	8°	11,4	24,5
K0723.12125	RH thread	12 -0,008	M12x1,25	17,5	22	50	34	6,5	10	8	18	22	15	19	8°	11,4	24,5
K0723.06	RH thread	6 -0,008	M6	10	13	30	20	5	6	4,4	10	12	11	11	12°	3,6	8,2
K0723.081	LH thread	8 -0,008	M8	12,5	16	36	24	5	8	6	13	16	12	14	12°	5,8	12,9
K0723.12	RH thread	12 -0,008	M12	17,5	22	50	34	6,5	10	8	18	22	15	19	8°	11,4	24,5
K0723.16	RH thread	17 -0,008	M16	24	30	67	46	10	14	11	25	33	20	27	8°	22	45
K0723.10125	RH thread	10 -0,008	M10x1,25	15	19	43	28	6,5	9	7	16	20	13	17	12°	8,6	17,6
K0723.20	RH thread	20 -0,010	M20x1,5	27,5	35	77	53	10	16	13	29	38	23	32	8°	31,5	60
K0723.08	RH thread	8 -0,008	M8	12,5	16	36	24	5	8	6	13	16	12	14	12°	5,8	12,9
K0723.201	LH thread	20 -0,010	M20x1,5	27,5	35	77	53	10	16	13	29	38	23	32	8°	31,5	60
K0723.101251	LH thread	10 -0,008	M10x1,25	15	19	43	28	6,5	9	7	16	20	13	17	12°	8,6	17,6
K0723.121251	LH thread	12 -0,008	M12x1,25	17,5	22	50	34	6,5	10	8	18	22	15	19	8°	11,4	24,5
K0723.161	LH thread	17 -0,008	M16	24	30	67	46	10	14	11	25	33	20	27	8°	22	45
K0723.061	LH thread	6 -0,008	M6	10	13	30	20	5	6	4,4	10	12	11	11	12°	3,6	8,2

**Rod ends with plain bearing internal thread, narrow version, DIN ISO
12240-4**

Overview of items

