

Toggle clamps vertical with safety interlock with flat foot and adjustable clamping spindle

Item description/product images



Description

Material:

Steel.
Grip polyamide.
Unlocking bracket TPE.

Version:

Carbonitrided and black oxidised.
Grip blue, black or red.

Note:

Maintenance-free high quality link bushings. Sustainable constant force during opening and closing. Optimum stability through the conical, U-profile clamping arm. Including internal bar lock with automatic safety catch.

On request:

Other grip colours.

Accessory:

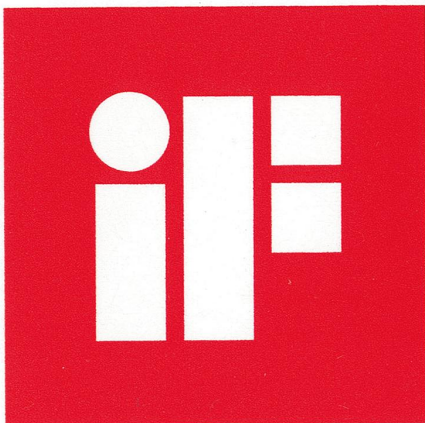
K0106
K0098
K0383
K0388
K0390
K0391
K0392
K0393

Drawing reference:

1) stop pin position 1
2) stop pin position 2

Toggle clamps vertical with safety interlock with flat foot and adjustable clamping spindle

Item description/product images



**product
design
award**



Toggle clamps vertical with safety interlock with flat foot and adjustable clamping spindle

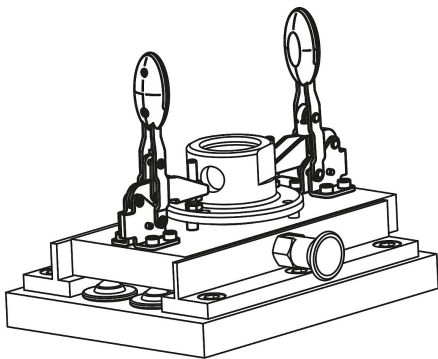
Item description/product images



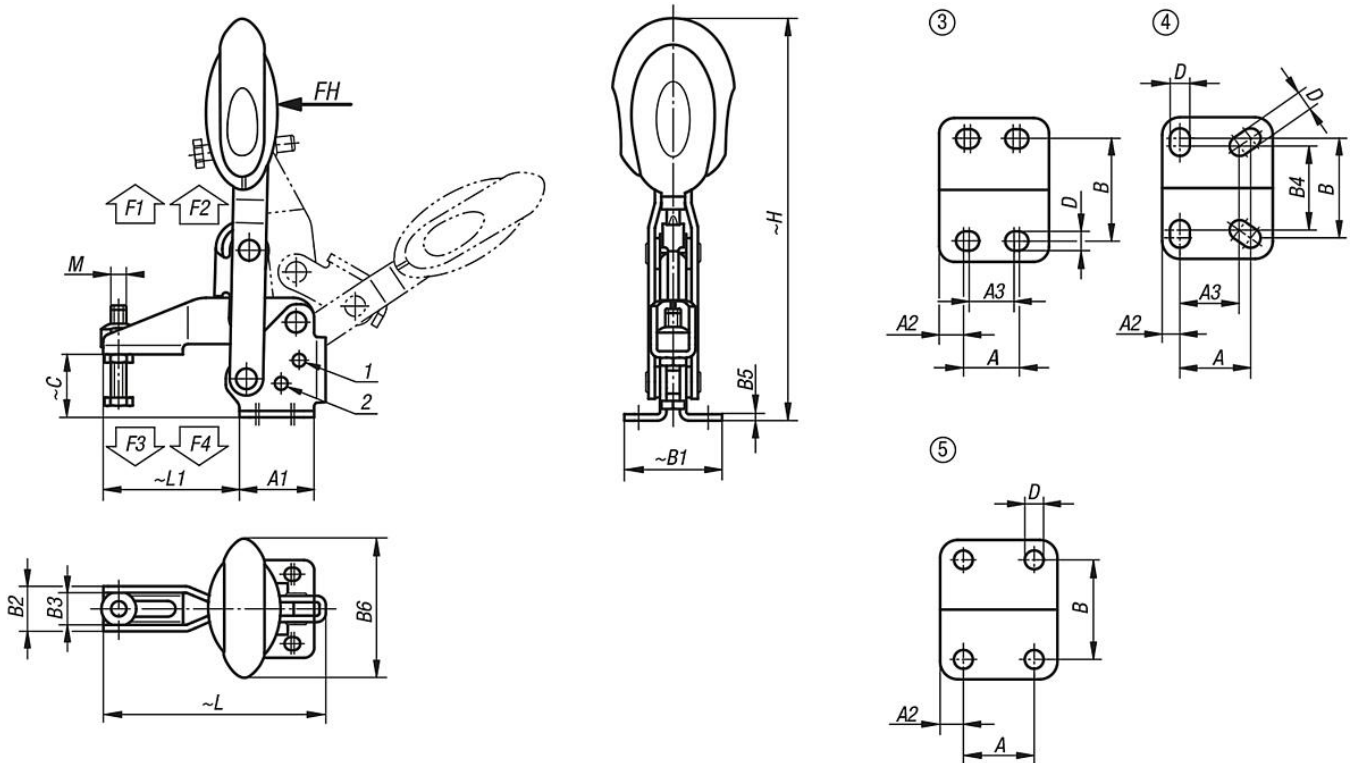
RAL 7021
 $\Delta = 0$

RAL 5002
 $\Delta = 1$

RAL 3020
 $\Delta = 3$



Drawings



Overview of items

Toggle clamps vertical with safety interlock with flat foot and adjustable clamping spindle

Toggle clamps vertical with safety interlock with flat foot and adjustable clamping spindle

Overview of items

Order No.	Component colour	Opening angle holding arm position 1	Opening angle holding arm position 2	Opening angle holding arm stop pin removed	Opening angle handle position 1	Opening angle handle position 2	Opening angle handle stop pin removed	Hand force FH N	Retaining force F1 N	Retaining force F2 N	Clamping force F3 N	Clamping force F4 N
K0662.006101	ultramarine RAL 5002	56°	83°	152°	46°	56°	83°	160	1350	1650	920	1050
K0662.008101	ultramarine RAL 5002	13°	93°	158°	26°	61°	86°	190	2000	2800	940	1350
K0662.010101	ultramarine RAL 5002	6°	97°	176°	19°	59°	91°	250	2500	4500	1500	2800
K0662.012101	ultramarine RAL 5002	11°	88°	164°	24°	60°	91°	280	3000	5500	1400	2800
K0662.006100	black grey RAL 7021	56°	83°	152°	46°	56°	83°	160	1350	1650	920	1050
K0662.008100	black grey RAL 7021	13°	93°	158°	26°	61°	86°	190	2000	2800	940	1350
K0662.010100	black grey RAL 7021	6°	97°	176°	19°	59°	91°	250	2500	4500	1500	2800
K0662.012100	black grey RAL 7021	11°	88°	164°	24°	60°	91°	280	3000	5500	1400	2800
K0662.006103	traffic red RAL 3020	56°	83°	152°	46°	56°	83°	160	1350	1650	920	1050
K0662.008103	traffic red RAL 3020	13°	93°	158°	26°	61°	86°	190	2000	2800	940	1350
K0662.010103	traffic red RAL 3020	6°	97°	176°	19°	59°	91°	250	2500	4500	1500	2800
K0662.012103	traffic red RAL 3020	11°	88°	164°	24°	60°	91°	280	3000	5500	1400	2800

Order No.	Component colour	hole arrangement	M	A	A1	A2	A3	B	B1	B2	B3	B4	B5	B6	C	D	H	L	L1	Order No. Angle bracket
K0662.006101	ultramarine RAL 5002	3	M6x35	14	29	7	12	27	38	17,5	12,5	-	2,5	53,4	24,9	5,5	163	86,5	53	K0098.02
K0662.008101	ultramarine RAL 5002	3	M8x45	21	39	9	19	32	45	20,6	15,6	-	2,5	51,1	32,7	6,8	191,4	107	62	K0098.04
K0662.010101	ultramarine RAL 5002	4	M10x55	32	50	8	27	45	64	25,5	18,5	38	3,5	56,5	38,7	9	230,5	153	95	K0098.06
K0662.012101	ultramarine RAL 5002	5	M12x70	32	53	10,5	-	45	63	28	21	-	3,5	56,5	46,7	8,8	249,1	173,5	113,5	K0098.06
K0662.006100	black grey RAL 7021	3	M6x35	14	29	7	12	27	38	17,5	12,5	-	2,5	53,4	24,9	5,5	163	86,5	53	K0098.02
K0662.008100	black grey RAL 7021	3	M8x45	21	39	9	19	32	45	20,6	15,6	-	2,5	51,1	32,7	6,8	191,4	107	62	K0098.04
K0662.010100	black grey RAL 7021	4	M10x55	32	50	8	27	45	64	25,5	18,5	38	3,5	56,5	38,7	9	230,5	153	95	K0098.06
K0662.012100	black grey RAL 7021	5	M12x70	32	53	10,5	-	45	63	28	21	-	3,5	56,5	46,7	8,8	249,1	173,5	113,5	K0098.06
K0662.006103	traffic red RAL 3020	3	M6x35	14	29	7	12	27	38	17,5	12,5	-	2,5	53,4	24,9	5,5	163	86,5	53	K0098.02
K0662.008103	traffic red RAL 3020	3	M8x45	21	39	9	19	32	45	20,6	15,6	-	2,5	51,1	32,7	6,8	191,4	107	62	K0098.04
K0662.010103	traffic red RAL 3020	4	M10x55	32	50	8	27	45	64	25,5	18,5	38	3,5	56,5	38,7	9	230,5	153	95	K0098.06
K0662.012103	traffic red RAL 3020	5	M12x70	32	53	10,5	-	45	63	28	21	-	3,5	56,5	46,7	8,8	249,1	173,5	113,5	K0098.06