

# Triangular star grips, Form K

## Item description/product images



### Description

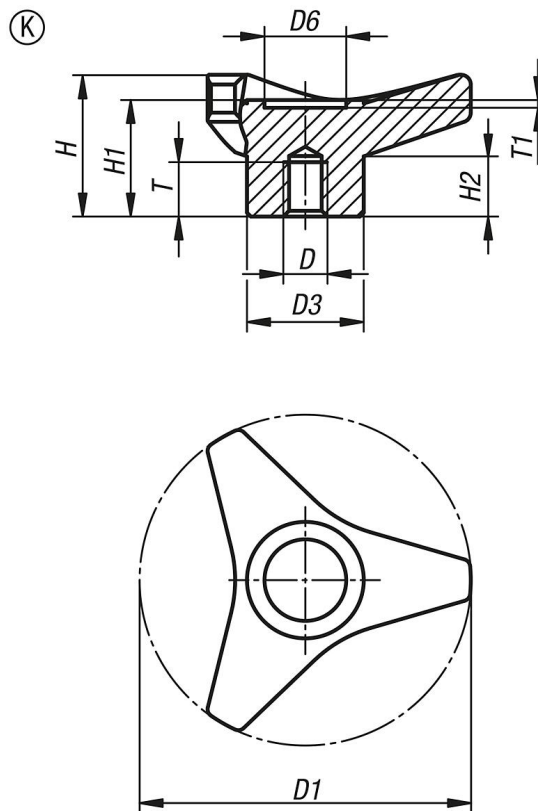
**Material:**

Fibreglass reinforced thermoplastic.  
Tapped bush brass.

**Version:**

Grip, black.

## Drawings



## Overview of items

Order No.	Form	D	D1	D3	D6	H	H1	H2	T	T1
K1083.24506	K	M6	45	16	11	21	18	10	9	1
K1083.26508	K	M8	65	22	15,5	28	23,5	11,5	11	1,5
K1083.26510	K	M10	65	22	15,5	28	23,5	11,5	11	1,5
K1083.28510	K	M10	85	30	21	37	30,5	16	14	2
K1083.28512	K	M12	85	30	21	37	30,5	16	19	2
K1083.210512	K	M12	105	35	25	46	37,5	19	17	2
K1083.210514	K	M14	105	35	25	46	37,5	19	19	2

