

## Levelling feet plates ECO die-cast zinc, stainless steel or plastic

### Item description/product images



### Description

#### Material:

Plate thermoplastic, die-cast zinc or stainless steel 1.4305.  
Anti-slip plate thermoplastic elastomer.

#### Version:

Thermoplastic plate black.  
Die-cast zinc plate blue electro zinc-plated.  
Stainless steel plate bright.

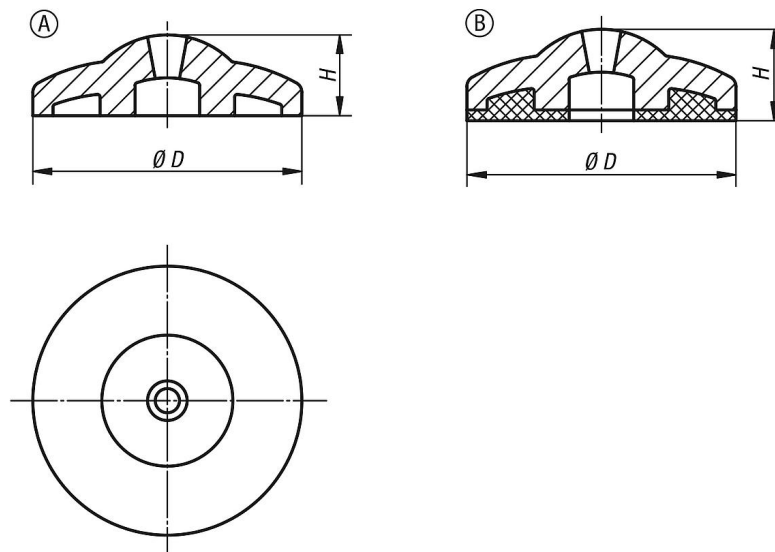
#### Note:

ECO levelling feet consist of a plate and a threaded spindle. Any plate can be combined with any threaded spindle.  
The anti-slip plate absorbs vibrations and prevents the levelling foot slipping.  
For matching threaded spindles see K0429.

#### Drawing reference:

Form A without anti-slip plate  
Form B with anti-slip plate

### Drawings



### Overview of items

#### Levelling feet plates ECO die-cast zinc

Order No.	Form	Main material	D	H	Load rating max. kN
K0428.10301	A	zinc	30	11,5	16
K0428.10401	A	zinc	40	12	18
K0428.10501	A	zinc	50	14,5	20
K0428.20301	B	zinc	30	13,5	16
K0428.20401	B	zinc	40	14,5	18
K0428.20501	B	zinc	50	17,5	20
K0428.10302	A	stainless steel	30	11,5	22
K0428.10402	A	stainless steel	40	12	24

## Levelling feet plates ECO die-cast zinc, stainless steel or plastic

### Overview of items

Order No.	Form	Main material	D	H	Load rating max. kN
K0428.10502	A	stainless steel	50	14,5	26
K0428.20302	B	stainless steel	30	13,5	22
K0428.20402	B	stainless steel	40	14,5	24
K0428.20502	B	stainless steel	50	17,5	26
K0428.10303	A	thermoplastic	30	11,5	15
K0428.10403	A	thermoplastic	40	12	15
K0428.10503	A	thermoplastic	50	14,5	15
K0428.20303	B	thermoplastic	30	13,5	15
K0428.20403	B	thermoplastic	40	14,5	15
K0428.20503	B	thermoplastic	50	17,5	15

### Levelling feet plates ECO stainless steel

Order No.	Form	D	H	Load rating max. kN
K0428.10302	A	30	11,5	22
K0428.10402	A	40	12	24
K0428.10502	A	50	14,5	26
K0428.20302	B	30	13,5	22
K0428.20402	B	40	14,5	24
K0428.20502	B	50	17,5	26

### Levelling feet plates ECO plastic

Order No.	Form	D	H	Load rating max. kN
K0428.10303	A	30	11,5	15
K0428.10403	A	40	12	15
K0428.10503	A	50	14,5	15
K0428.20303	B	30	13,5	15
K0428.20403	B	40	14,5	15
K0428.20503	B	50	17,5	15