

## Clevises with screw, steel or stainless steel

### Item description/product images



### Description

#### Material:

Carbon steel 1.1191 or stainless steel 1.4305.

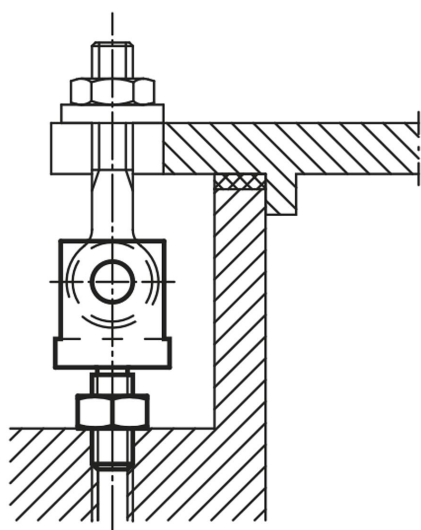
#### Version:

Carbon steel tempered and black oxidised.

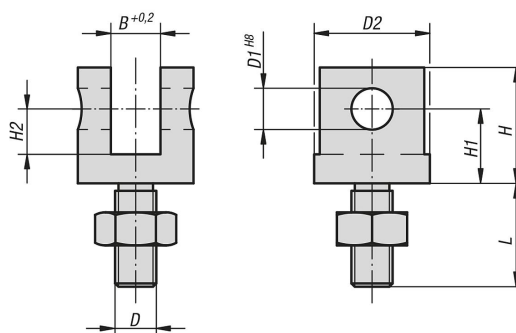
Stainless steel bright.

#### Note:

Suitable clevis pin see K0007.



### Drawings



### Overview of items

#### Clevises with screw, steel or stainless steel

Order No.	Main material	D	D1	D2	B	H	H1	H2	L
K0397.05	high carbon steel	M5	5	12	6	16	10	7	14,5
K0397.06	high carbon steel	M6	6	16	7	19	12	8	15
K0397.08	high carbon steel	M8	8	20	9	23	15	10	20
K0397.10	high carbon steel	M10	10	28	12	28	18	11	25
K0397.12	high carbon steel	M12	12	30	14	34	21	13,5	30

## Clevises with screw, steel or stainless steel

### Overview of items

Order No.	Main material	D	D1	D2	B	H	H1	H2	L
K0397.14	high carbon steel	M14	14	36	16	37	23	15	35
K0397.16	high carbon steel	M16	16	40	17	42	26	17	40
K0397.20	high carbon steel	M20	18	50	22	52	32	21	50
K0397.105	stainless steel	M5	5	12	6	16	10	7	14,5
K0397.106	stainless steel	M6	6	16	7	19	12	8	15
K0397.108	stainless steel	M8	8	20	9	23	15	10	20
K0397.110	stainless steel	M10	10	28	12	28	18	11	25
K0397.112	stainless steel	M12	12	30	14	34	21	13,5	30
K0397.114	stainless steel	M14	14	36	16	37	23	15	35
K0397.116	stainless steel	M16	16	40	17	42	26	17	40
K0397.120	stainless steel	M20	18	50	22	52	32	21	50