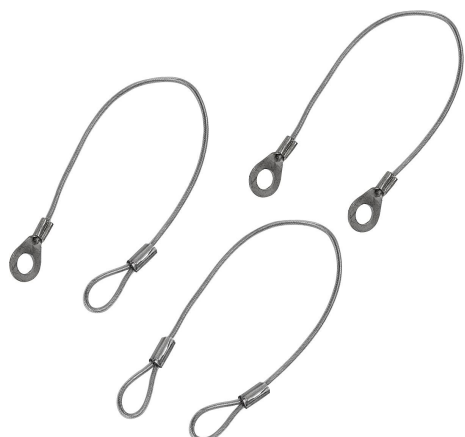


Retaining cables

Item description/product images



Description

Material:

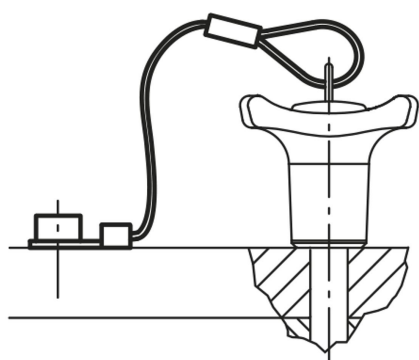
Cable stainless steel.
Crimp and end terminal aluminium.

Version:

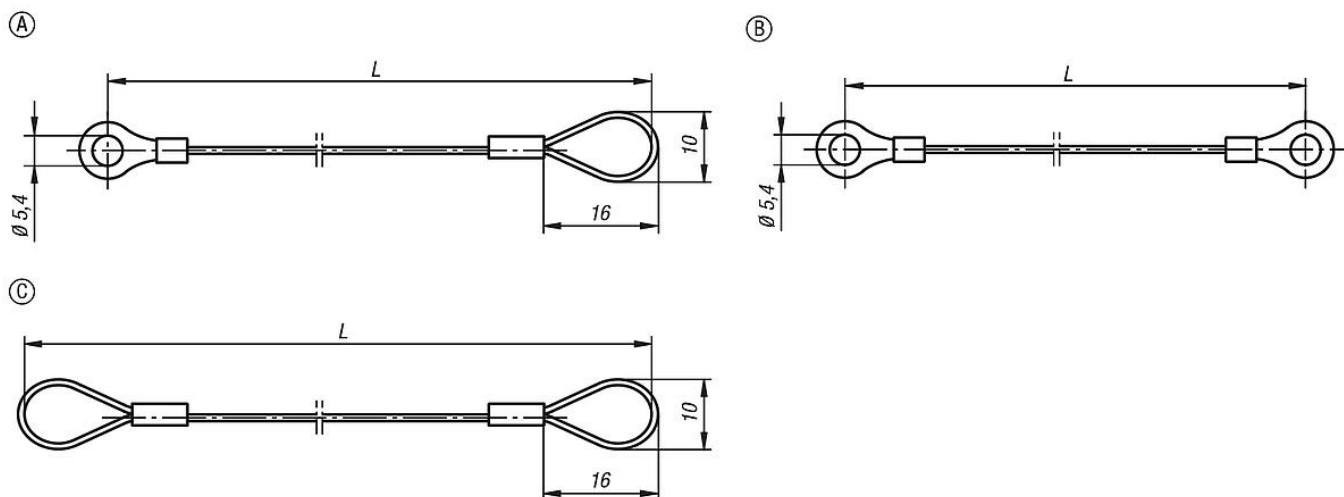
Cable plastic coated.

Note:

With the retaining cable and key ring (K0367) the ball lock pins (K0363, K0364, K0641, K0366, K0642, K0790, K0791) can be secured so that they cannot be lost.
An M5 screw is used to secure the retaining cable.
Application temperature: +80 °C.



Drawings



Overview of items

Retaining cables

Order No.	Form	L
K0367.0150	A	150
K0367.0200	A	200
K0367.0300	A	300

Retaining cables

Overview of items

Order No.	Form	L
K0367.0500	A	500
K0367.1150	B	150
K0367.1200	B	200
K0367.1300	B	300
K0367.1500	B	500
K0367.2150	C	150
K0367.2200	C	200
K0367.2300	C	300
K0367.2500	C	500