

# Cam levers, plastic with internal or external thread, plastic thrust washer and steel or stainless steel stud

Item description/product images



## Description

### Material:

Grip and thrust washer plastic PA 66 fibreglass reinforced.  
Hinge pins stainless steel 1.4305.  
Studs and washer steel grade 5.8 or stainless steel 1.4305.

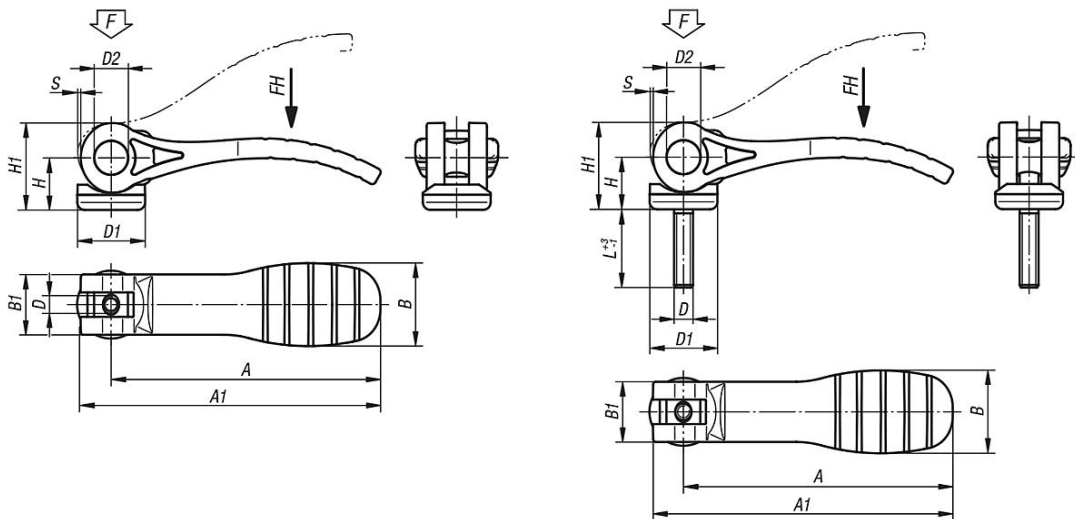
### Version:

Grip black or traffic red RAL3020.  
Thrust washer black.  
Hinge pin bright.  
Stud and washer trivalent blue-passivated or bright stainless steel.

### Note:

Plastics are subject to creeping under load (retardation), this can cause reduced clamping force.

## Drawings



## Overview of items

### Cam levers with plastic handle and internal thread

Order No.	Component material	Main colour	D	D1	D2	B	B1	H	H1	A	A1	Travel S	Clamping force F (kN)	Hand force FH N
K0646.1521105	steel	black	M5	18,1	9	22	16	14	23,4	71,5	79,6	1,15	2,5	125
K0646.1521106	steel	black	M6	18,1	9	22	16	14	23,4	71,5	79,6	1,15	2,5	125
K0646.2521108	steel	black	M8	27,1	11	33	24,2	16,2	27,7	100	110	1,5	5	170
K0646.1531105	stainless steel	black	M5	18,1	9	22	16	14	23,4	71,5	79,6	1,15	2,5	125
K0646.1531106	stainless steel	black	M6	18,1	9	22	16	14	23,4	71,5	79,6	1,15	2,5	125
K0646.2531108	stainless steel	black	M8	27,1	11	33	24,2	16,2	27,7	100	110	1,5	5	170
K0646.15218405	steel	traffic red RAL 3020	M5	18,1	9	22	16	14	23,4	71,5	79,6	1,15	2,5	125
K0646.15218406	steel	traffic red RAL 3020	M6	18,1	9	22	16	14	23,4	71,5	79,6	1,15	2,5	125
K0646.25218408	steel	traffic red RAL 3020	M8	27,1	11	33	24,2	16,2	27,7	100	110	1,5	5	170
K0646.15318405	stainless steel	traffic red RAL 3020	M5	18,1	9	22	16	14	23,4	71,5	79,6	1,15	2,5	125
K0646.15318406	stainless steel	traffic red RAL 3020	M6	18,1	9	22	16	14	23,4	71,5	79,6	1,15	2,5	125
K0646.25318408	stainless steel	traffic red RAL 3020	M8	27,1	11	33	24,2	16,2	27,7	100	110	1,5	5	170

# Cam levers, plastic with internal or external thread, plastic thrust washer and steel or stainless steel stud

## Overview of items

### Cam levers with plastic handle and external thread

Order No.	Thread type	Component material	Main colour	D	D1	D2	B	B1	H	H1	A	A1	L	Travel S	Clamping force F (kN)	Hand force FH N
K0646.1521105X20	external thread	steel	black	M5	18,1	9	22	16	14	23,4	71,5	79,6	20	1,15	2,5	125
K0646.1521105X30	external thread	steel	black	M5	18,1	9	22	16	14	23,4	71,5	79,6	30	1,15	2,5	125
K0646.1521105X40	external thread	steel	black	M5	18,1	9	22	16	14	23,4	71,5	79,6	40	1,15	2,5	125
K0646.1521105X50	external thread	steel	black	M5	18,1	9	22	16	14	23,4	71,5	79,6	50	1,15	2,5	125
K0646.1521106X20	external thread	steel	black	M6	18,1	9	22	16	14	23,4	71,5	79,6	20	1,15	2,5	125
K0646.1521106X30	external thread	steel	black	M6	18,1	9	22	16	14	23,4	71,5	79,6	30	1,15	2,5	125
K0646.1521106X40	external thread	steel	black	M6	18,1	9	22	16	14	23,4	71,5	79,6	40	1,15	2,5	125
K0646.1521106X50	external thread	steel	black	M6	18,1	9	22	16	14	23,4	71,5	79,6	50	1,15	2,5	125
K0646.2521108X25	external thread	steel	black	M8	27,1	11	33	24,2	16,2	27,7	100	110	25	1,5	5	170
K0646.2521108X30	external thread	steel	black	M8	27,1	11	33	24,2	16,2	27,7	100	110	30	1,5	5	170
K0646.2521108X40	external thread	steel	black	M8	27,1	11	33	24,2	16,2	27,7	100	110	40	1,5	5	170
K0646.2521108X50	external thread	steel	black	M8	27,1	11	33	24,2	16,2	27,7	100	110	50	1,5	5	170
K0646.2521110X25	external thread	steel	black	M10	27,1	11	33	24,2	16,2	27,7	100	110	25	1,5	5	170
K0646.2521110X30	external thread	steel	black	M10	27,1	11	33	24,2	16,2	27,7	100	110	30	1,5	5	170
K0646.2521110X40	external thread	steel	black	M10	27,1	11	33	24,2	16,2	27,7	100	110	40	1,5	5	170
K0646.2521110X50	external thread	steel	black	M10	27,1	11	33	24,2	16,2	27,7	100	110	50	1,5	5	170
K0646.1531105X20	external thread	stainless steel	black	M5	18,1	9	22	16	14	23,4	71,5	79,6	20	1,15	2,5	125
K0646.1531105X30	external thread	stainless steel	black	M5	18,1	9	22	16	14	23,4	71,5	79,6	30	1,15	2,5	125
K0646.1531105X40	external thread	stainless steel	black	M5	18,1	9	22	16	14	23,4	71,5	79,6	40	1,15	2,5	125
K0646.1531105X50	external thread	stainless steel	black	M5	18,1	9	22	16	14	23,4	71,5	79,6	50	1,15	2,5	125
K0646.1531106X20	external thread	stainless steel	black	M6	18,1	9	22	16	14	23,4	71,5	79,6	20	1,15	2,5	125
K0646.1531106X30	external thread	stainless steel	black	M6	18,1	9	22	16	14	23,4	71,5	79,6	30	1,15	2,5	125
K0646.1531106X40	external thread	stainless steel	black	M6	18,1	9	22	16	14	23,4	71,5	79,6	40	1,15	2,5	125
K0646.1531106X50	external thread	stainless steel	black	M6	18,1	9	22	16	14	23,4	71,5	79,6	50	1,15	2,5	125
K0646.2531108X25	external thread	stainless steel	black	M8	27,1	11	33	24,2	16,2	27,7	100	110	25	1,5	5	170
K0646.2531108X30	external thread	stainless steel	black	M8	27,1	11	33	24,2	16,2	27,7	100	110	30	1,5	5	170
K0646.2531108X40	external thread	stainless steel	black	M8	27,1	11	33	24,2	16,2	27,7	100	110	40	1,5	5	170
K0646.2531108X50	external thread	stainless steel	black	M8	27,1	11	33	24,2	16,2	27,7	100	110	50	1,5	5	170
K0646.2531110X25	external thread	stainless steel	black	M10	27,1	11	33	24,2	16,2	27,7	100	110	25	1,5	5	170
K0646.2531110X30	external thread	stainless steel	black	M10	27,1	11	33	24,2	16,2	27,7	100	110	30	1,5	5	170
K0646.2531110X40	external thread	stainless steel	black	M10	27,1	11	33	24,2	16,2	27,7	100	110	40	1,5	5	170
K0646.2531110X50	external thread	stainless steel	black	M10	27,1	11	33	24,2	16,2	27,7	100	110	50	1,5	5	170
K0646.15218405X20	external thread	steel	traffic red RAL 3020	M5	18,1	9	22	16	14	23,4	71,5	79,6	20	1,15	2,5	125
K0646.15218405X30	external thread	steel	traffic red RAL 3020	M5	18,1	9	22	16	14	23,4	71,5	79,6	30	1,15	2,5	125
K0646.15218405X40	external thread	steel	traffic red RAL 3020	M5	18,1	9	22	16	14	23,4	71,5	79,6	40	1,15	2,5	125
K0646.15218405X50	external thread	steel	traffic red RAL 3020	M5	18,1	9	22	16	14	23,4	71,5	79,6	50	1,15	2,5	125
K0646.15218406X20	external thread	steel	traffic red RAL 3020	M6	18,1	9	22	16	14	23,4	71,5	79,6	20	1,15	2,5	125
K0646.15218406X30	external thread	steel	traffic red RAL 3020	M6	18,1	9	22	16	14	23,4	71,5	79,6	30	1,15	2,5	125
K0646.15218406X40	external thread	steel	traffic red RAL 3020	M6	18,1	9	22	16	14	23,4	71,5	79,6	40	1,15	2,5	125
K0646.15218406X50	external thread	steel	traffic red RAL 3020	M6	18,1	9	22	16	14	23,4	71,5	79,6	50	1,15	2,5	125
K0646.25218408X25	external thread	steel	traffic red RAL 3020	M8	27,1	11	33	24,2	16,2	27,7	100	110	25	1,5	5	170
K0646.25218408X30	external thread	steel	traffic red RAL 3020	M8	27,1	11	33	24,2	16,2	27,7	100	110	30	1,5	5	170
K0646.25218408X40	external thread	steel	traffic red RAL 3020	M8	27,1	11	33	24,2	16,2	27,7	100	110	40	1,5	5	170
K0646.25218408X50	external thread	steel	traffic red RAL 3020	M8	27,1	11	33	24,2	16,2	27,7	100	110	50	1,5	5	170
K0646.25218410X25	external thread	steel	traffic red RAL 3020	M10	27,1	11	33	24,2	16,2	27,7	100	110	25	1,5	5	170
K0646.25218410X30	external thread	steel	traffic red RAL 3020	M10	27,1	11	33	24,2	16,2	27,7	100	110	30	1,5	5	170
K0646.25218410X40	external thread	steel	traffic red RAL 3020	M10	27,1	11	33	24,2	16,2	27,7	100	110	40	1,5	5	170
K0646.25218410X50	external thread	steel	traffic red RAL 3020	M10	27,1	11	33	24,2	16,2	27,7	100	110	50	1,5	5	170
K0646.15318405X20	external thread	stainless steel	traffic red RAL 3020	M5	18,1	9	22	16	14	23,4	71,5	79,6	20	1,15	2,5	125
K0646.15318405X30	external thread	stainless steel	traffic red RAL 3020	M5	18,1	9	22	16	14	23,4	71,5	79,6	30	1,15	2,5	125
K0646.15318405X40	external thread	stainless steel	traffic red RAL 3020	M5	18,1	9	22	16	14	23,4	71,5	79,6	40	1,15	2,5	125
K0646.15318405X50	external thread	stainless steel	traffic red RAL 3020	M5	18,1	9	22	16	14	23,4	71,5	79,6	50	1,15	2,5	125
K0646.15318406X20	external thread	stainless steel	traffic red RAL 3020	M6	18,1	9	22	16	14	23,4	71,5	79,6	20	1,15	2,5	125
K0646.15318406X30	external thread	stainless steel	traffic red RAL 3020	M6	18,1	9	22	16	14	23,4	71,5	79,6	30	1,15	2,5	125
K0646.15318406X40	external thread	stainless steel	traffic red RAL 3020	M6	18,1	9	22	16	14	23,4	71,5	79,6	40	1,15	2,5	125
K0646.15318406X50	external thread	stainless steel	traffic red RAL 3020	M6	18,1	9	22	16	14	23,4	71,5	79,6	50	1,15	2,5	125
K0646.25318408X25	external thread	stainless steel	traffic red RAL 3020	M8	27,1	11	33	24,2	16,2	27,7	100	110	25	1,5	5	170
K0646.25318408X30	external thread	stainless steel	traffic red RAL 3020	M8	27,1	11	33	24,2	16,2	27,7	100	110	30	1,5	5	170
K0646.25318408X40	external thread	stainless steel	traffic red RAL 3020	M8	27,1	11	33	24,2	16,2	27,7	100	110	40	1,5	5	170

## Cam levers, plastic with internal or external thread, plastic thrust washer and steel or stainless steel stud

### Overview of items

Order No.	Thread type	Component material	Main colour	D	D1	D2	B	B1	H	H1	A	A1	L	Travel S	Clamping force F (kN)	Hand force FH N
<b>K0646.25318408X50</b>	external thread	stainless steel	traffic red RAL 3020	M8	27,1	11	33	24,2	16,2	27,7	100	110	50	1,5	5	170
<b>K0646.25318410X25</b>	external thread	stainless steel	traffic red RAL 3020	M10	27,1	11	33	24,2	16,2	27,7	100	110	25	1,5	5	170
<b>K0646.25318410X30</b>	external thread	stainless steel	traffic red RAL 3020	M10	27,1	11	33	24,2	16,2	27,7	100	110	30	1,5	5	170
<b>K0646.25318410X40</b>	external thread	stainless steel	traffic red RAL 3020	M10	27,1	11	33	24,2	16,2	27,7	100	110	40	1,5	5	170
<b>K0646.25318410X50</b>	external thread	stainless steel	traffic red RAL 3020	M10	27,1	11	33	24,2	16,2	27,7	100	110	50	1,5	5	170