

Spring plungers with hex socket and thrust pin, steel, with thread lock

Item description/product images

KIPPlack



Description

Material:

Sleeve in steel grade 5.8;
thrust pin in steel.
Spring grade D spring steel wire.

Thread lock nylon.

Version:

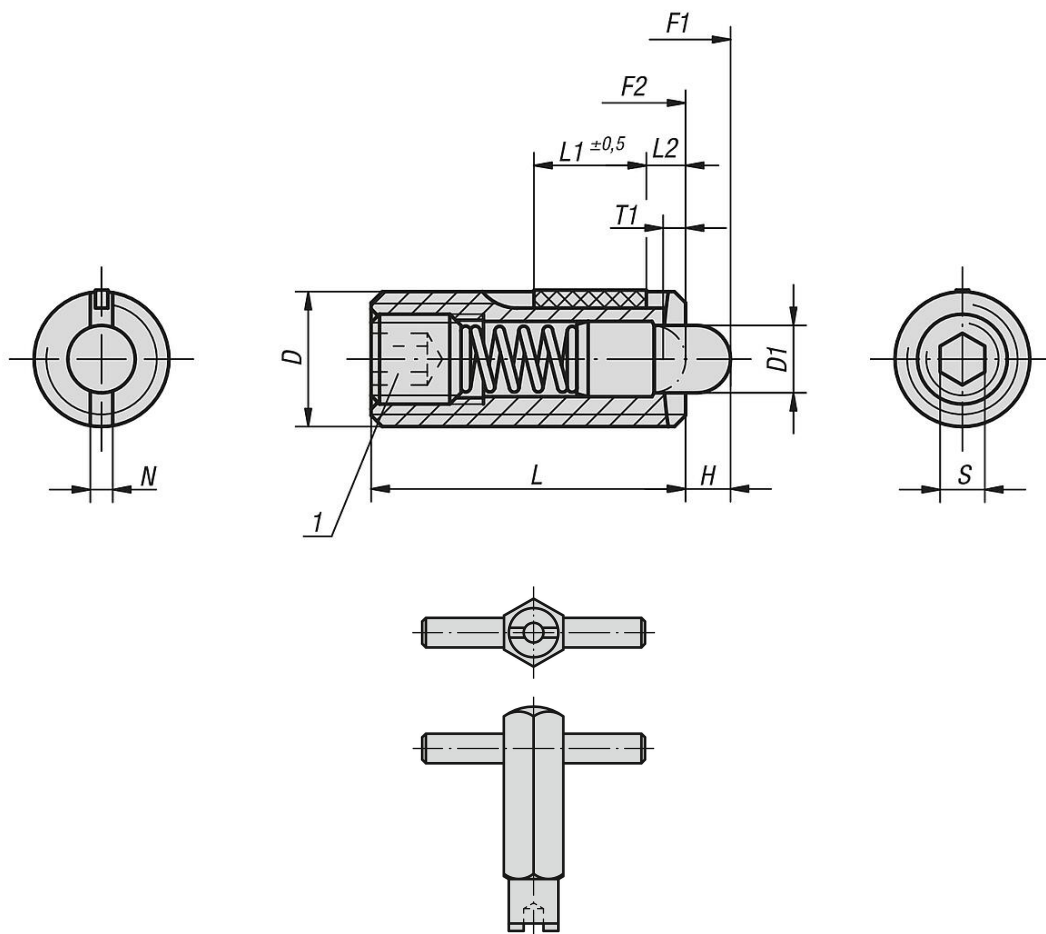
Black oxidised.
Thrust pin hardened.

Drawing reference:

L2 = ca. two full threads

1) grub screw glued-in

Drawings



Overview of items

Spring plungers with hex socket and thrust pin, steel, with thread lock

Spring plungers with hex socket and thrust pin, steel, with thread lock

Overview of items

Order No.	D	D1	H	L	L1	T1	N	S	Spring force initial pressure F1 approx. N	Spring force final pressure F2 approx. N	Tightening torque approx. Nm	Loosening torque approx. Nm	Order No. Assembly key
K0327.05	M5	2,4	2,3	18	7	0,8	0,8	1,5	6	20	0,12	0,08	K0317.905
K0327.06	M6	2,7	2,5	20	7	1	1	2	7	20	0,45	0,22	K0317.906
K0327.08	M8	3,5	3	22	8	1,4	1,2	2,5	9	35	1,05	0,37	K0317.908
K0327.10	M10	4	3	22	9	1,4	1,6	3	9	35	1,3	0,6	K0317.910
K0327.12	M12	6	4	28	10	2	2	4	12	55	2	1,3	K0317.912
K0327.16	M16	7,5	5	32	14	2,5	2,5	5	45	100	3,9	3	K0317.916
K0327.116	M16	7,5	5	32	14	2,5	2,5	5	20	45	3,9	3	K0317.916
K0327.105	M5	2,4	2,3	18	7	0,8	0,8	1,5	3	10	0,12	0,08	K0317.905
K0327.106	M6	2,7	2,5	20	7	1	1	2	3	9	0,45	0,22	K0317.906
K0327.108	M8	3,5	3	22	8	1,4	1,2	2,5	4	16	1,05	0,37	K0317.908
K0327.110	M10	4	3	22	9	1,4	1,6	3	4	16	1,3	0,6	K0317.910
K0327.112	M12	6	4	28	10	2	2	4	5	27	2	1,3	K0317.912
K0327.205	M5	2,4	2,3	18	7	0,8	0,8	1,5	11	29	0,12	0,08	K0317.905
K0327.206	M6	2,7	2,5	20	7	1	1	2	14	37	0,45	0,22	K0317.906
K0327.208	M8	3,5	3	22	8	1,4	1,2	2,5	22	65	1,05	0,37	K0317.908
K0327.210	M10	4	3	22	9	1,4	1,6	3	19	70	1,3	0,6	K0317.910
K0327.212	M12	6	4	28	10	2	2	4	25	85	2	1,3	K0317.912
K0327.216	M16	7,5	5	32	14	2,5	2,5	5	60	150	3,9	3	K0317.916