

# Clamping levers, steel with internal thread, threaded insert black oxidised steel

Item description/product images



lift to  
disengage



## Description

**Material:**

Handle steel 1.0401.  
All other steel parts grade 5.8.

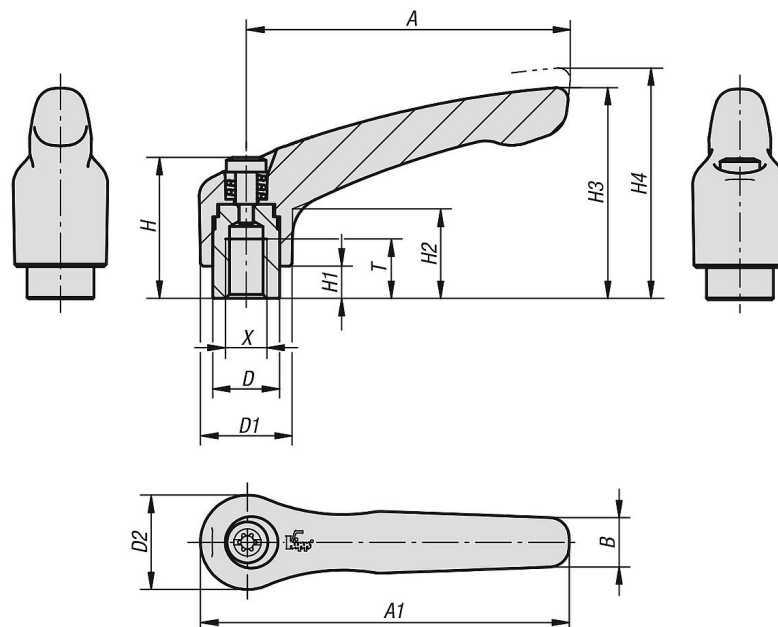
**Version:**

Handle powder-coated, fine-textured structure.  
Steel parts black oxidised.

**Note:**

Standard colours are:  
ruby red RAL 3003.

## Drawings



## Overview of items

# Clamping levers, steel with internal thread, threaded insert black oxidised steel

## Overview of items

### Clamping levers with female thread

Order No.	Main colour	Size	X	T	D	D1	D2	H	H1	H2	H3	H4	A	A1	B	No. of teeth
K0752.10427	ruby red RAL3003	1	M4	9	10	13	14	24,5	4	14,5	31	34	40	47	7	16
K0752.10527	ruby red RAL3003	1	M5	9	10	13	14	24,5	4	14,5	31	34	40	47	7	16
K0752.10627	ruby red RAL3003	1	M6	9	10	13	14	24,5	4	14,5	31	34	40	47	7	16
K0752.20627	ruby red RAL3003	2	M6	12	13,5	18,5	19	28,5	6,5	17,5	42,5	45,5	65	74,5	10	20
K0752.20827	ruby red RAL3003	2	M8	12	13,5	18,5	19	28,5	6,5	17,5	42,5	45,5	65	74,5	10	20
K0752.30827	ruby red RAL3003	3	M8	14	16	21	22	37	10	24	54,5	58,5	80	91	11	22
K0752.31027	ruby red RAL3003	3	M10	14	16	21	22	37	10	24	54,5	58,5	80	91	11	22
K0752.41027	ruby red RAL3003	4	M10	17	19	27	27,5	43	10	27	63	67,5	95	109	13	24
K0752.41227	ruby red RAL3003	4	M12	17	19	27	27,5	43	10	27	63	67,5	95	109	13	24
K0752.51227	ruby red RAL3003	5	M12	23	23	31	32	49	12	31,5	73	77,5	110	126	15	26
K0752.51627	ruby red RAL3003	5	M16	23	23	31	32	49	12	31,5	73	77,5	110	126	15	26

### Information about this article

Description of clamping lever with internal thread: The adjustable grip is made from unalloyed C15 steel (grade 5.8). The highly robust steel grips easily stand up to higher forces during opening and closing. The handy grip on the clamping lever is matt powder-coated and available as standard in red or black. The matt coating ensures effective light absorption without glare. The following clamping lever thread sizes are available ex stock and can be conveniently ordered online: - M5- M6- M8- M10- M12- M16 Clamping levers with external thread are easy to install. Simply screw them into a part that has a corresponding internal thread. Lifting the handle unlocks it from the tothing, allowing it to be moved into the desired tightening position. The handle will automatically lock back into place when released. Using clamping levers with external thread: Clamping levers are predominantly used as an operating part in industrial applications such as machines or industrial plants. However, they can also be found in all other areas where a clamping operation is required i.e. entertainment and lighting technology, logistics systems, and sporting equipment.