

## Pull handles, Form B

### Item description/product images



### Description

**Material:**

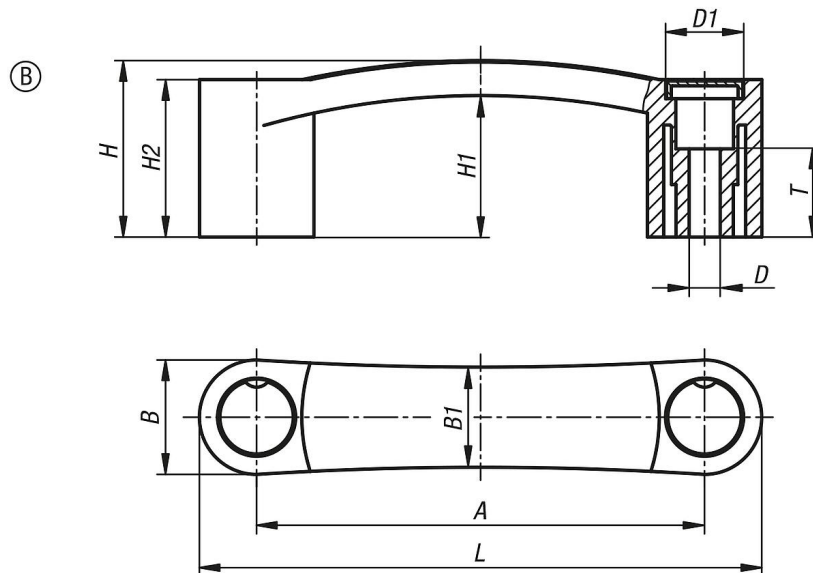
Fibreglass reinforced thermoplastic.

**Version:**

Black.

Cap grey.

### Drawings



### Overview of items

Order No.	Version 1	Form	A	B	B1	D	D1	H	H1	H2	L	T	Load capacity N
K1092.209406	with through hole	B	94	24	21	6,5	16	37	30	33	118	14	2500
K1092.211706	with through hole	B	117	28	24	6,5	18	40,5	31,5	34	145	15	3700
K1092.211708	with through hole	B	117	28	24	8,5	18	40,5	31,5	34	145	15	3700
K1092.212006	with through hole	B	120	28	24	6,5	18	40,5	31,5	34	148	15	2900
K1092.212008	with through hole	B	120	28	24	8,5	18	40,5	31,5	34	148	15	2900
K1092.213208	with through hole	B	132	28	24	8,5	18	43	34	36,5	160	15	3200