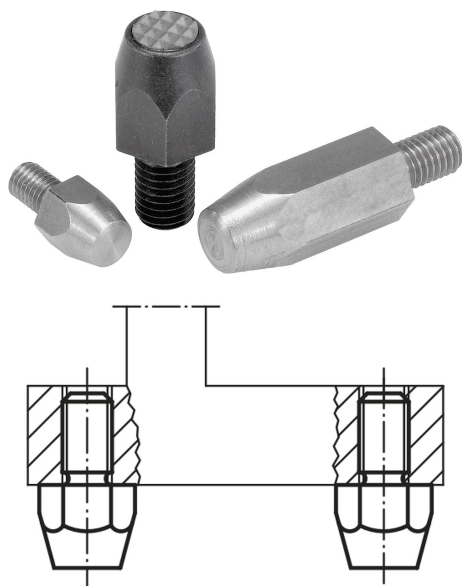


Feet with threaded pin, DIN 6320 (edition 1971)

Item description/product images



Description

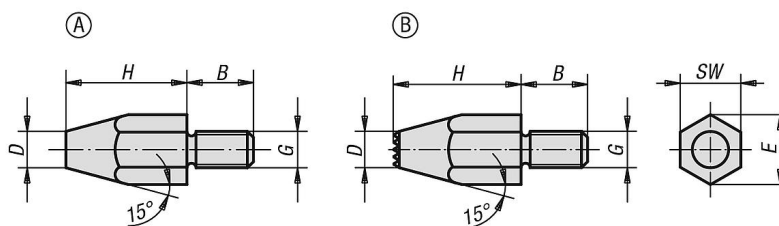
Material:
Carbon steel 1.1172.

Version:
Black oxidised.

Note:
The rest pads K0292 and K0293
can also be used as feet.

Drawing reference:
Form A: Smooth face
Form B: Carbide tips

Drawings



Overview of items

Feet with threaded pin, DIN 6320 (edition 1971)

Order No.	Form	D	G	H	B	E	SW
K0296.06	A	8	M6	10	11	11,5	10
K0296.061	A	6	M6	20	11	11,5	10
K0296.08	A	10	M8	15	13	15	13
K0296.081	A	9	M8	30	13	15	13
K0296.10	A	13	M10	20	16	19,6	17
K0296.101	A	13	M10	40	16	19,6	17
K0296.12	A	15	M12	25	20	21,9	19
K0296.121	A	15	M12	50	20	21,9	19
K0296.083	B	11,5	M8	15	13	15	13
K0296.123	B	15	M12	25	20	21,9	19