

## Crank handles aluminium with safety grip

### Item description/product images



### Description

**Material:**

Crank aluminium.  
Cylinder grip thermoplastic and steel.

**Version:**

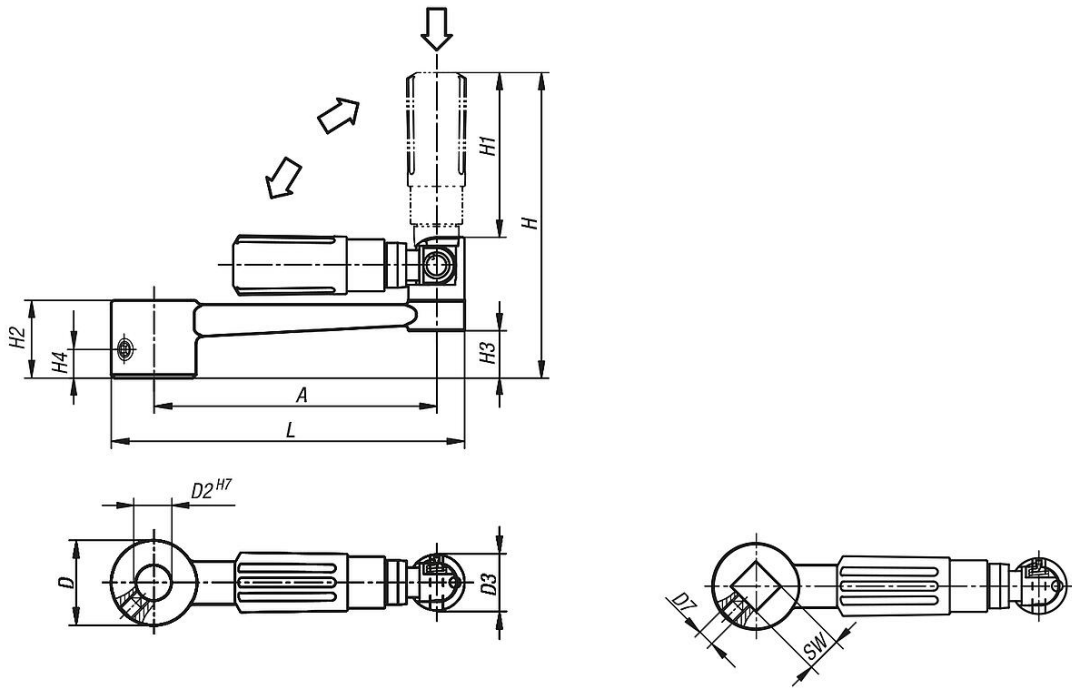
Crank black powder-coated.  
Thermoplastic black grey.  
Steel parts black oxidised.

**Note:**

Similar to DIN 469.  
Versions with transverse bore are secured using the ISO 4027 (DIN 914) grub screw.

# Crank handles aluminium with safety grip

## Drawings



## Overview of items

### Crank handle aluminium with safety cylinder grip

Order No.	Version 1	Version 2	A	D	D2	D3	D7	H	H1	H2	H3	H4	L	SW
K0998.1110	reamed hole	without transverse hole	80	24	10	16	-	87,5	47,5	22	13,6	-	100	-
K0998.1212	reamed hole	without transverse hole	100	28	12	20	-	107	58,5	25	16	-	124	-
K0998.1314	reamed hole	without transverse hole	125	30	14	25	-	139	82	28	15,8	-	153	-
K0998.1417	reamed hole	without transverse hole	160	34	17	25	-	143	82	32	19,6	-	190	-
K0998.11106	reamed hole	with transverse bore	80	24	10	16	M6	87,5	47,5	22	13,4	7,5	100	-
K0998.12126	reamed hole	with transverse bore	100	28	12	20	M6	106,9	58,4	26	16	7,5	124	-
K0998.13146	reamed hole	with transverse bore	125	30	14	26	M6	139,1	82,1	28	15,8	7,5	153	-
K0998.14176	reamed hole	with transverse bore	160	34	17	26	M6	143,1	82,1	32	19,6	7,5	190	-
K0998.2110	square socket	without transverse hole	80	24	-	16	-	87,5	47,5	22	13,6	-	100	10
K0998.2212	square socket	without transverse hole	100	28	-	20	-	107	58,5	25	16	-	124	12
K0998.2314	square socket	without transverse hole	125	30	-	25	-	139	82	28	15,8	-	153	14
K0998.2417	square socket	without transverse hole	160	34	-	25	-	143	82	32	19,6	-	190	17
K0998.21106	square socket	with transverse bore	80	24	-	16	M6	87,5	47,5	22	13,4	7,5	100	10
K0998.22126	square socket	with transverse bore	100	28	-	20	M6	106,9	58,4	26	16	7,5	124	12
K0998.23146	square socket	with transverse bore	125	30	-	26	M6	139,1	82,1	28	15,8	7,5	153	14
K0998.24176	square socket	with transverse bore	160	34	-	26	M6	143,1	82,1	32	19,6	7,5	190	17