

## Crank handles with safety grip, without keyway

### Item description/product images



### Description

#### Material:

Crank thermoplastic.

Cylinder grip thermoplastic and steel.

#### Version:

Black grey thermoplastic.

Steel parts black oxidised.

#### Note:

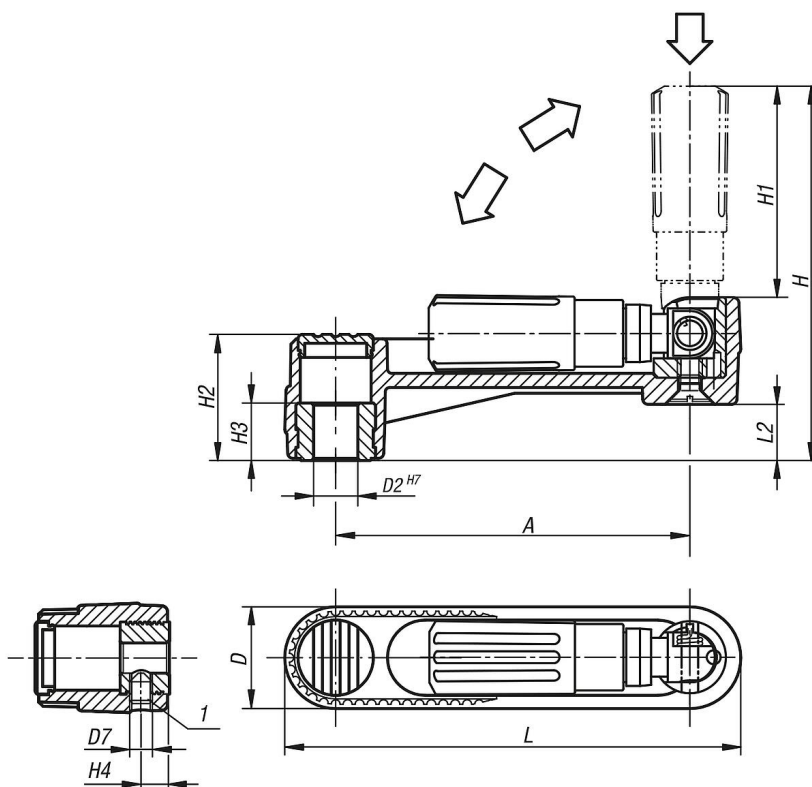
The hub cover is supplied unassembled. Two actions must be made to bring the safety cylinder grip into an operating position:

- Swing the grip out around the pivot shaft until it stops (90°).
- Push the grip in an axial direction into the lock position. The pushed-in position is the most comfortable for cranking. The grip swings back automatically after releasing.

Versions with transverse bore are secured using the ISO 4027 (DIN 914) grub screw.

# Crank handles with safety grip, without keyway

## Drawings



## Overview of items

### Crank handles with safety grip

| Order No.   | Version 1   | Version 2               | Component material | A   | D  | D2 | D7 | H     | H1   | H2   | H3   | H4  | L   | L2   |
|-------------|-------------|-------------------------|--------------------|-----|----|----|----|-------|------|------|------|-----|-----|------|
| K0268.1108  | reamed hole | without transverse hole | thermoplastic      | 80  | 24 | 8  | -  | 84,2  | 47,5 | 28,5 | 13   | -   | 104 | 12,7 |
| K0268.1110  | reamed hole | without transverse hole | thermoplastic      | 80  | 24 | 10 | -  | 84,2  | 47,5 | 28,5 | 13   | -   | 104 | 12,7 |
| K0268.1210  | reamed hole | without transverse hole | thermoplastic      | 100 | 29 | 10 | -  | 104,2 | 58,5 | 35,5 | 13   | -   | 129 | 15,7 |
| K0268.1212  | reamed hole | without transverse hole | thermoplastic      | 100 | 29 | 12 | -  | 104,2 | 58,5 | 35,5 | 13   | -   | 129 | 15,7 |
| K0268.1312  | reamed hole | without transverse hole | thermoplastic      | 125 | 36 | 12 | -  | 139   | 82   | 44   | 18,5 | -   | 161 | 19,5 |
| K0268.1314  | reamed hole | without transverse hole | thermoplastic      | 125 | 36 | 14 | -  | 139   | 82   | 44   | 18,5 | -   | 161 | 19,5 |
| K0268.11086 | reamed hole | with transverse bore    | thermoplastic      | 80  | 24 | 8  | M6 | 84,2  | 47,5 | 28,5 | 13   | 7,5 | 104 | 12,7 |
| K0268.11106 | reamed hole | with transverse bore    | thermoplastic      | 80  | 24 | 10 | M6 | 84,2  | 47,5 | 28,5 | 13   | 7,5 | 104 | 12,7 |
| K0268.12106 | reamed hole | with transverse bore    | thermoplastic      | 100 | 29 | 10 | M6 | 104,2 | 58,5 | 35,5 | 13   | 7,5 | 129 | 15,7 |
| K0268.12126 | reamed hole | with transverse bore    | thermoplastic      | 100 | 29 | 12 | M6 | 104,2 | 58,5 | 35,5 | 13   | 7,5 | 129 | 15,7 |
| K0268.13126 | reamed hole | with transverse bore    | thermoplastic      | 125 | 36 | 12 | M6 | 139   | 82   | 44   | 18,5 | 7,5 | 161 | 19,5 |
| K0268.13146 | reamed hole | with transverse bore    | thermoplastic      | 125 | 36 | 14 | M6 | 139   | 82   | 44   | 18,5 | 7,5 | 161 | 19,5 |