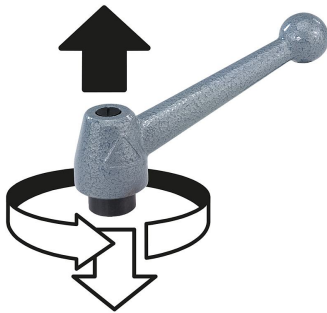


Clamping levers, stainless steel with internal thread, threaded insert stainless steel

Item description/product images



lift to
disengage



Description

Material:

Handle stainless steel 1.4308.

All other metal parts stainless steel 1.4305.

Version:

Stainless steel grip electropolished.

Steel parts bright.

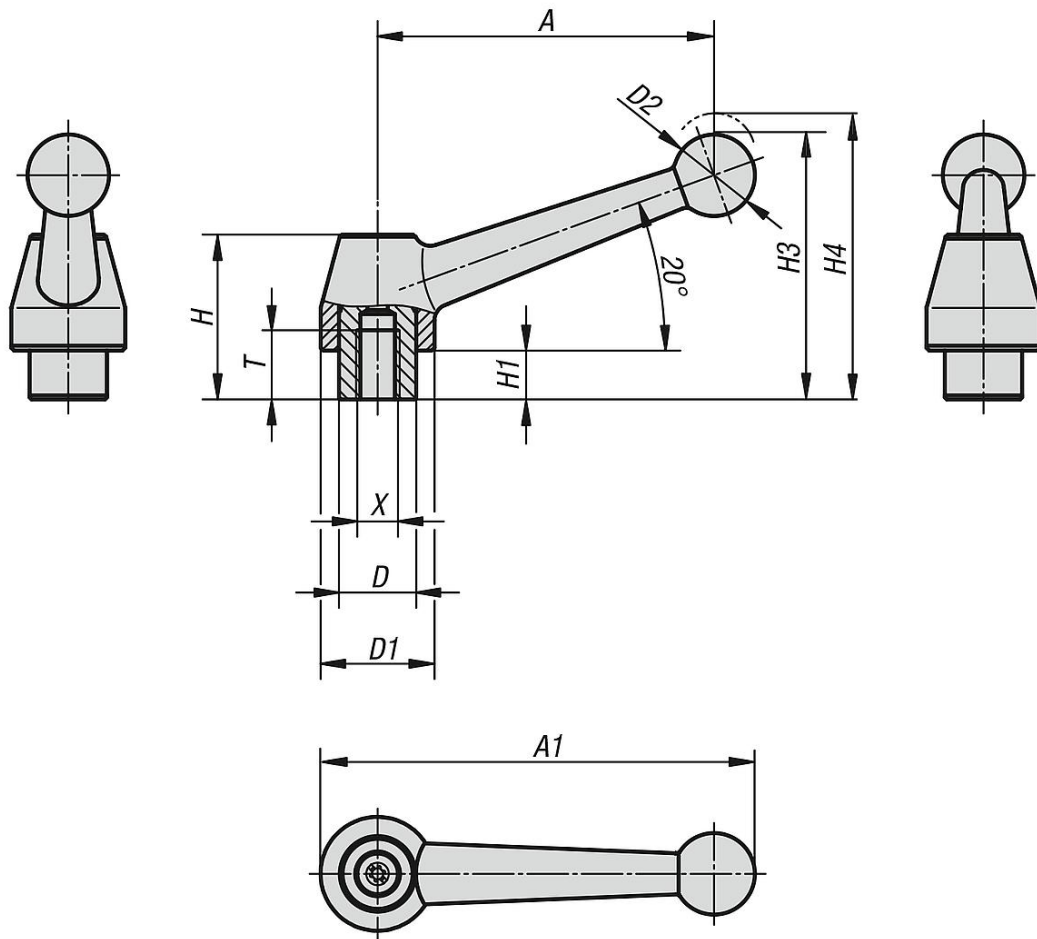
On request:

Other threads and special versions.

Dimension "H1" available in other lengths at extra charge.

Clamping levers, stainless steel with internal thread, threaded insert stainless steel

Drawings



Overview of items

Clamping levers with internal thread, stainless steel

Order No.	Main material	X	A	A1	T	D	D1	D2	H	H1	H3	H4	No. of teeth
K0121.1108	stainless steel	M8	83	107	17	19	28	20	40,5	12	65	68,5	24
K0121.1110	stainless steel	M10	83	107	17	19	28	20	40,5	12	65	68,5	24
K0121.1112	stainless steel	M12	83	107	17	19	28	20	40,5	12	65	68,5	24