

Tubular handles, aluminium with plastic grip legs

Item description/product images

19"



Description

Material:

Grip aluminium EN AW-6060.
Legs polyamide glass-bead reinforced.
Bushing brass.

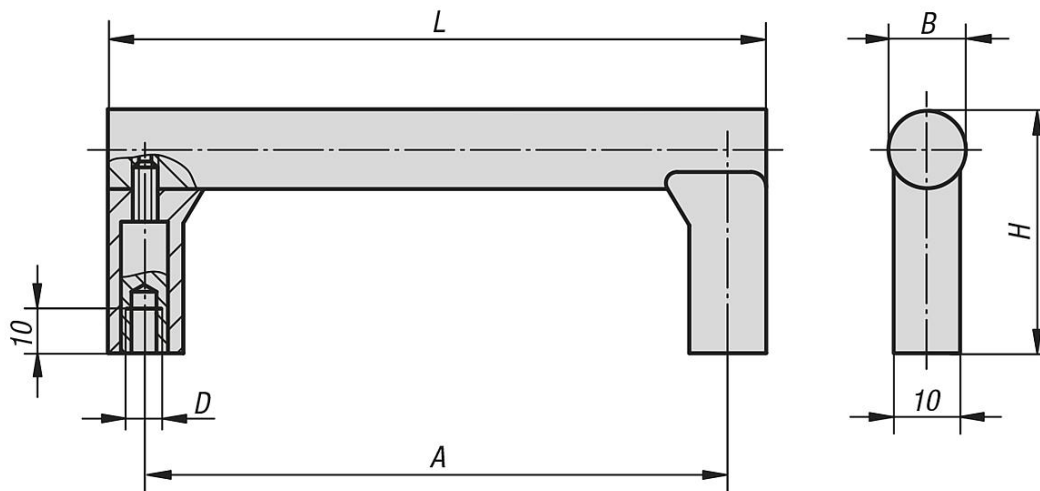
Version:

Grip fine ground and natural colour or black anodised.
Legs aluminium colour or black.

Note:

Grip and legs are screwed securely together.

Drawings



Overview of items

Tubular handles

Order No.	Main colour	Component colour	A	B	D	H	L	Load capacity N
K0236.1055041	natural anodized	aluminium tone	55	12	M4	37	67	300
K0236.1088041	natural anodized	aluminium tone	88	12	M4	37	100	300
K0236.1100041	natural anodized	aluminium tone	100	12	M4	37	112	300
K0236.1120041	natural anodized	aluminium tone	120	12	M4	37	132	300
K0236.1180041	natural anodized	aluminium tone	180	12	M4	37	192	300
K0236.1055042	natural anodized	black	55	12	M4	37	67	300
K0236.1088042	natural anodized	black	88	12	M4	37	100	300
K0236.1100042	natural anodized	black	100	12	M4	37	112	300
K0236.1120042	natural anodized	black	120	12	M4	37	132	300
K0236.1180042	natural anodized	black	180	12	M4	37	192	300
K0236.1055043	black anodised	aluminium tone	55	12	M4	37	67	300
K0236.1088043	black anodised	aluminium tone	88	12	M4	37	100	300
K0236.1100043	black anodised	aluminium tone	100	12	M4	37	112	300
K0236.1120043	black anodised	aluminium tone	120	12	M4	37	132	300
K0236.1180043	black anodised	aluminium tone	180	12	M4	37	192	300
K0236.1055044	black anodised	black	55	12	M4	37	67	300
K0236.1088044	black anodised	black	88	12	M4	37	100	300

Tubular handles, aluminium with plastic grip legs

Overview of items

Order No.	Main colour	Component colour	A	B	D	H	L	Load capacity N
K0236.1100044	black anodised	black	100	12	M4	37	112	300
K0236.1120044	black anodised	black	120	12	M4	37	132	300
K0236.1180044	black anodised	black	180	12	M4	37	192	300