

Pull handles, round steel, angled

Item description/product images



Description

Material:

Round steel

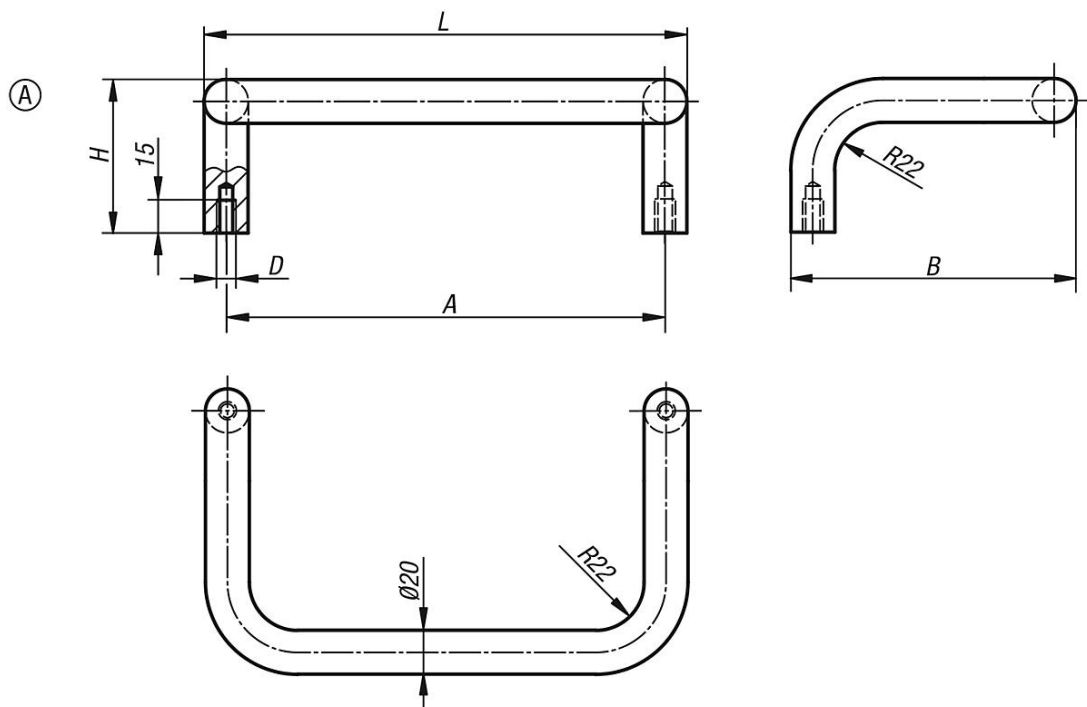
Version:

Ground, brushed and matt-chromed or black powder-coated with fine texture

Note:

Available as straight or right-angled handle.

Drawings



Overview of items

Machine handles

Order No.	Form	Main colour	A	B	D	H	L	Load capacity N
K0230.200081	A	matt chromed	200	130	M8	70	220	1000
K0230.350081	A	matt chromed	350	130	M8	70	370	1000
K0230.200082	A	black powder-coated	200	130	M8	70	220	1000
K0230.350082	A	black powder-coated	350	130	M8	70	370	1000