

Tubular handles, stainless steel with plastic legs and screw head counterbore

Item description/product images



Description

Material:

Legs glass-bead reinforced thermoplastic.
Grip stainless steel 1.4301.
Inserts stainless steel 1.4305.

Version:

Legs fine structured, black.
Grip fine ground.
Inserts fine turned.

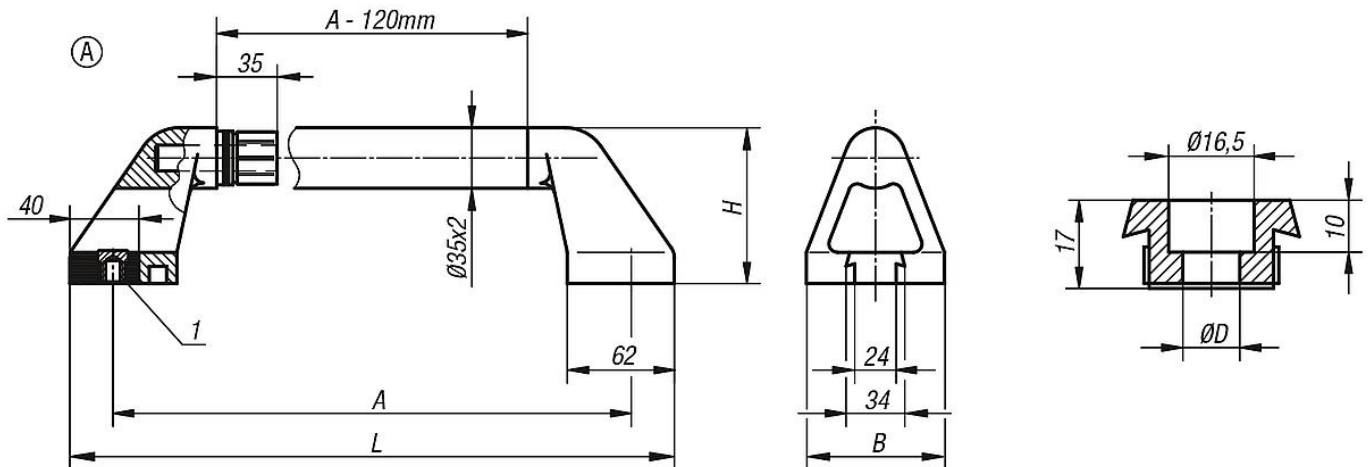
Note:

Locking webs allow a precision fit of the tube on the plastic leg boss.
Splash-proof with O-ring seals.
Different fastening inserts allow mounting from the front, rear or with each other.
Handles with through hole inserts (Form A) are supplied with stainless steel fasteners.
Handles with tapped inserts (Form B) are supplied without fasteners.

Drawing reference:

1) Screw head insert (A) or threaded insert (B).

Drawings



Overview of items

Tube Handles

Order No.	Form	A	B	D	H	L	Load capacity N
K0226.300101	A	300	80	11	90	350	1000
K0226.350101	A	350	80	11	90	400	1000
K0226.400101	A	400	80	11	90	450	1000
K0226.500101	A	500	80	11	90	550	1000
K0226.600101	A	600	80	11	90	650	1000

Tubular handles, stainless steel with plastic grip legs and screw head counterbore

Overview of items
