

Pull handles, oval aluminium

Item description/product images



Description

Material:

Oval aluminium EN AW-6060

Version:

Black or ruby red RAL 3003 powder-coated, natural tone anodised or bright vibratory ground.

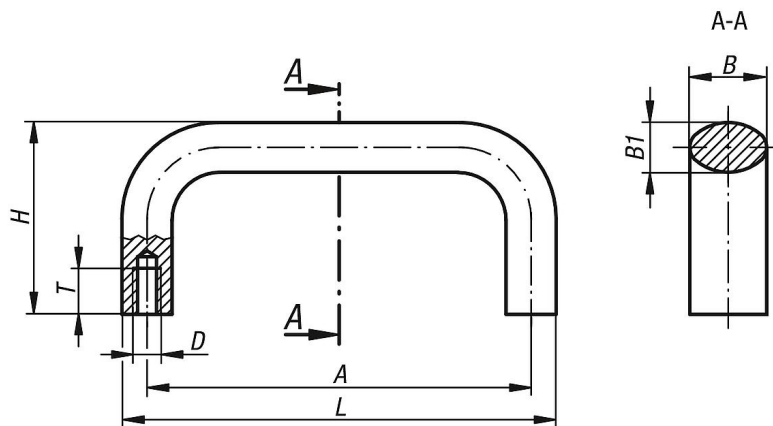
Note:

These pull handles are extremely robust and can also be used where rough usage is expected. The bright vibratory-ground version can be painted or coated after assembly.

Assembly:

From the rear.

Drawings



Overview of items

Pull handles, oval

Order No.	Main colour	Surface finish body	A	B	B1	D	H	L	T	Load capacity N
K0204.10001	black	powder-coated	100	21	13	M6	50	113	12	1000
K0204.11201	black	powder-coated	112	21	13	M6	50	125	12	1000
K0204.1120108	black	powder-coated	112	25	17	M8	55	129	14	1000
K0204.12001	black	powder-coated	120	21	13	M6	50	133	12	1000
K0204.1200108	black	powder-coated	120	25	17	M8	55	137	14	1000
K0204.12801	black	powder-coated	128	21	13	M6	50	141	12	1000
K0204.1280108	black	powder-coated	128	25	17	M8	55	145	14	1000
K0204.1600106	black	powder-coated	160	21	13	M6	50	173	12	1000
K0204.16001	black	powder-coated	160	25	17	M8	55	177	14	1000
K0204.18001	black	powder-coated	180	25	17	M8	55	197	14	1000
K0204.19201	black	powder-coated	192	25	17	M8	55	209	14	1000
K0204.35001	black	powder-coated	350	25	17	M8	55	367	14	1000
K0204.110003	natural	anodised	100	21	13	M6	50	113	12	1000
K0204.111203	natural	anodised	112	21	13	M6	50	125	12	1000
K0204.11120308	natural	anodised	112	25	17	M8	55	129	14	1000
K0204.112003	natural	anodised	120	21	13	M6	50	133	12	1000

Pull handles, oval aluminium

Overview of items

Order No.	Main colour	Surface finish body	A	B	B1	D	H	L	T	Load capacity N
K0204.11200308	natural	anodised	120	25	17	M8	55	137	14	1000
K0204.112803	natural	anodised	128	21	13	M6	50	141	12	1000
K0204.11280308	natural	anodised	128	25	17	M8	55	145	14	1000
K0204.11600306	natural	anodised	160	21	13	M6	50	173	12	1000
K0204.116003	natural	anodised	160	25	17	M8	55	177	14	1000
K0204.118003	natural	anodised	180	25	17	M8	55	197	14	1000
K0204.119203	natural	anodised	192	25	17	M8	55	209	14	1000
K0204.135003	natural	anodised	350	25	17	M8	55	367	14	1000
K0204.19203	natural	anodised	192	26	17	M8	55	209	14	1000
K0204.10027	ruby red	powder-coated	100	21	13	M6	50	113	12	1000
K0204.11227	ruby red	powder-coated	112	21	13	M6	50	125	12	1000
K0204.1122708	ruby red	powder-coated	112	25	17	M8	55	129	14	1000
K0204.12027	ruby red	powder-coated	120	21	13	M6	50	133	12	1000
K0204.1202708	ruby red	powder-coated	120	25	17	M8	55	137	14	1000
K0204.12827	ruby red	powder-coated	128	21	13	M6	50	141	12	1000
K0204.1282708	ruby red	powder-coated	128	25	17	M8	55	145	14	1000
K0204.1602706	ruby red	powder-coated	160	21	13	M6	50	173	12	1000
K0204.16027	ruby red	powder-coated	160	25	17	M8	55	177	14	1000
K0204.18027	ruby red	powder-coated	180	25	17	M8	55	197	14	1000
K0204.19227	ruby red	powder-coated	192	25	17	M8	55	209	14	1000
K0204.35027	ruby red	powder-coated	350	25	17	M8	55	367	14	1000
K0204.100	-	bright and tumbled	100	21	13	M6	50	113	12	1000
K0204.112	-	bright and tumbled	112	21	13	M6	50	125	12	1000
K0204.120	-	bright and tumbled	120	21	13	M6	50	133	12	1000
K0204.128	-	bright and tumbled	128	21	13	M6	50	141	12	1000
K0204.16006	-	bright and tumbled	160	21	13	M6	50	173	12	1000
K0204.11208	-	bright and tumbled	112	25	17	M8	55	129	14	1000
K0204.12008	-	bright and tumbled	120	25	17	M8	55	137	14	1000
K0204.12808	-	bright and tumbled	128	25	17	M8	55	145	14	1000
K0204.160	-	bright and tumbled	160	25	17	M8	55	177	14	1000
K0204.180	-	bright and tumbled	180	25	17	M8	55	197	14	1000
K0204.192	-	bright and tumbled	192	25	17	M8	55	209	14	1000
K0204.350	-	bright and tumbled	350	25	17	M8	55	367	14	1000